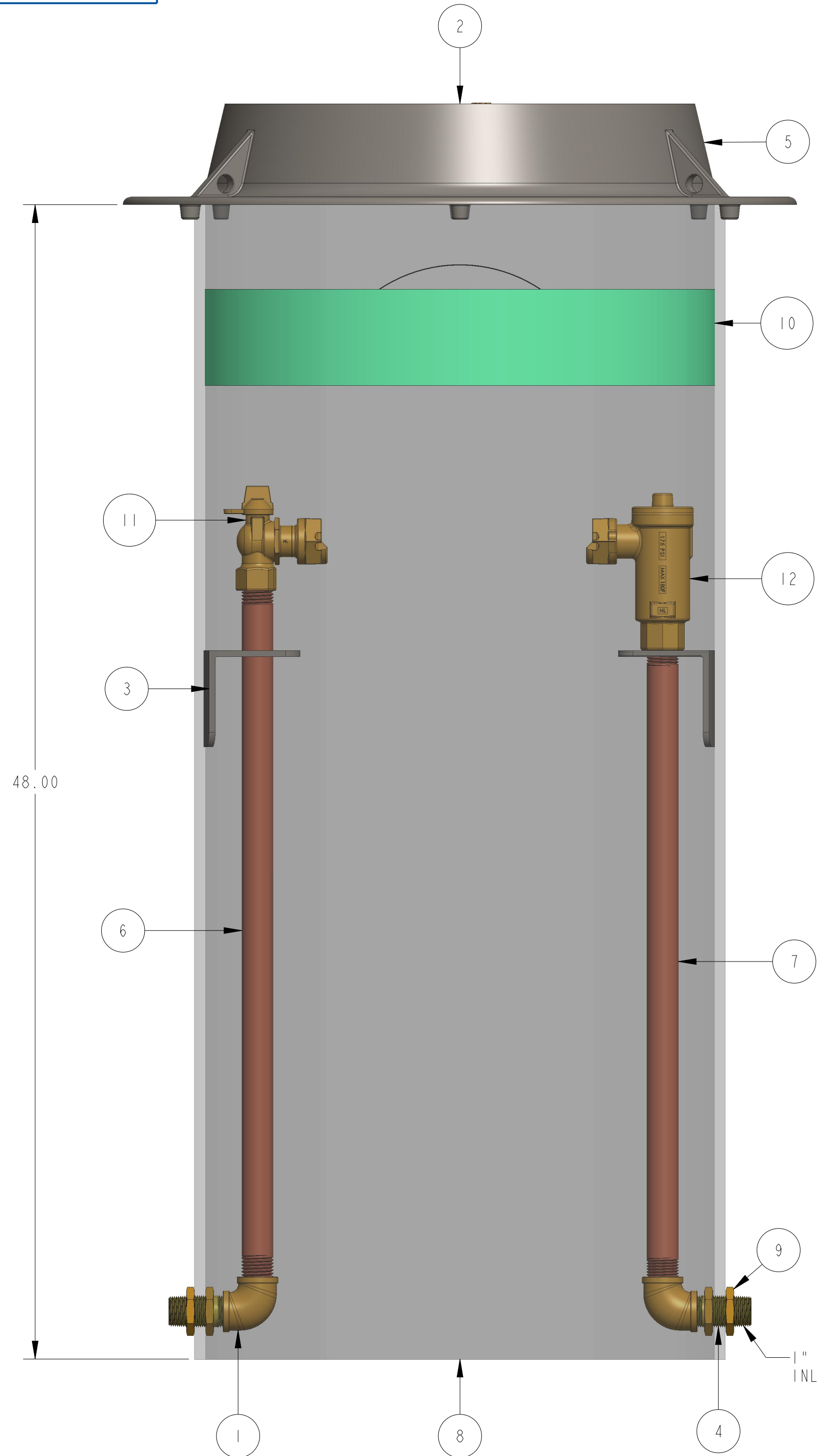
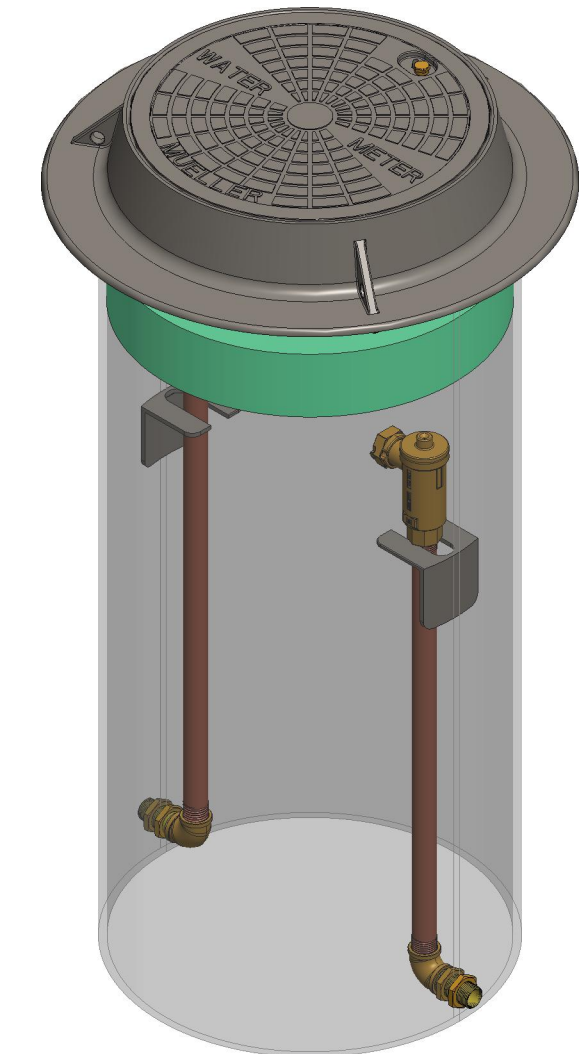
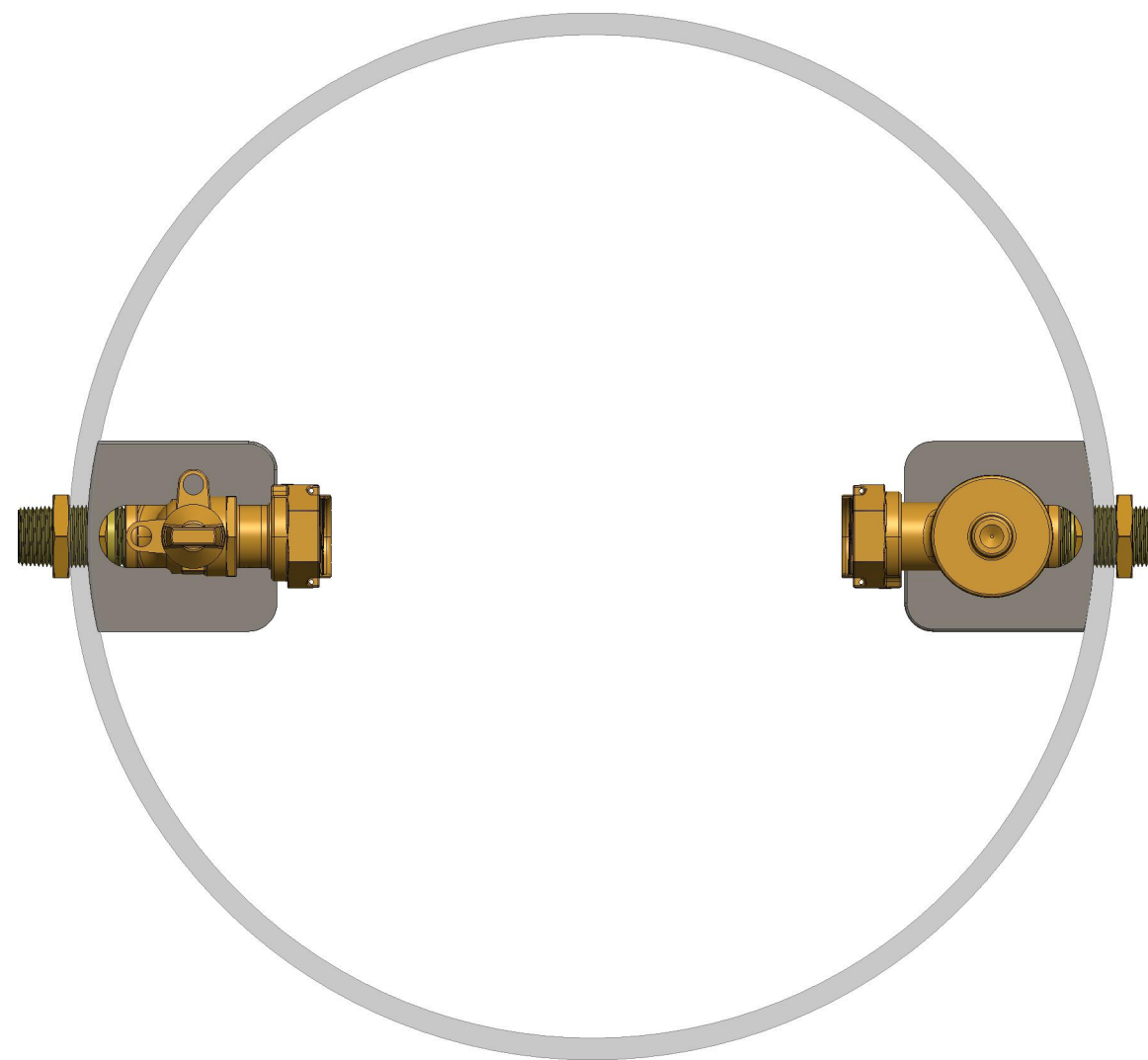


330RS2148RVBSN



ITEM NO	PART NUMBER	QTY	DESCRIPTION	MATERIAL
1	094987	2	1" FNPT ELBOW	CAST BRONZE ASTM B584 ALLOY C89833
2	282925	1	18" DIA CAST IRON SIDE LOCKING LID (SOLD SEPARATELY)	CAST IRON ASTM A126 CLASS B
3	547400	2	1" SUPPORT BRACKET	BLACK PLASTIC ABS
4	700067	2	NIPPLE 1" X 3"	RED BRASS ASTM B43 ALLOY C23000 O61 TEMPER ANNEALED
5	700098-1	1	CAST IRON FRAME (PURCHASED SEPARATELY)	CAST IRON ASTM A48 CLASS 25A
6	700460	1	1" BRASS PIPE	RED BRASS ASTM B43 ALLOY C23000 O61 TEMPER ANNEALED
7	700493	1	1" BRASS PIPE	RED BRASS ASTM B43 ALLOY C23000 O61 TEMPER ANNEALED
8	780081-2148	1	SHELL	SDR-51 PVC PIPE ASTM D2241 GRADE 1120
9	790010	4	1" HEX NUT	ASTM B16 ALLOY C36000
10	790119	1	21" X 4" INSULATION PAD (SOLD SEPARATELY)	ETHAFOAM 220 WHITE
11	330B24265RN	1	1" REDUCED PORT BALL VALVE LLB	LEAD FREE BRASS ALLOY ASTM B584 C89833/C87850
12	330H14460AN	1	1" ASSE APPROVED VERTICAL CHECK	LEAD FREE BRASS ALLOY ASTM B584 C89833/C87850



1" NPT THREADS INLET AND OUTLET

DR. BY	AOD	1/14/22	UNLESS OTHERWISE NOTED	THIRD ANGLE PROJECTION	C.B. NO.
CHKR			BREAK CAST CORNER(S)---		
ENGR			BREAK MACH CORNER(S)---	PURCH.	FINISH
MGR			TOLERANCES	REF. NO.	SCALE
MFG			UNLESS OTHERWISE NOTED	STR. NO.	PATT. NO.
TOOL			LINEAR	ANGULAR	
FDRY			±	±	
MAT'L:					
MUELLER			DESCR. 1" RIGID SINGLE METER PIT 21" DIA X 48" DEPTH LEAD FREE BRASS		NUMBER 330RS2148RVBSN