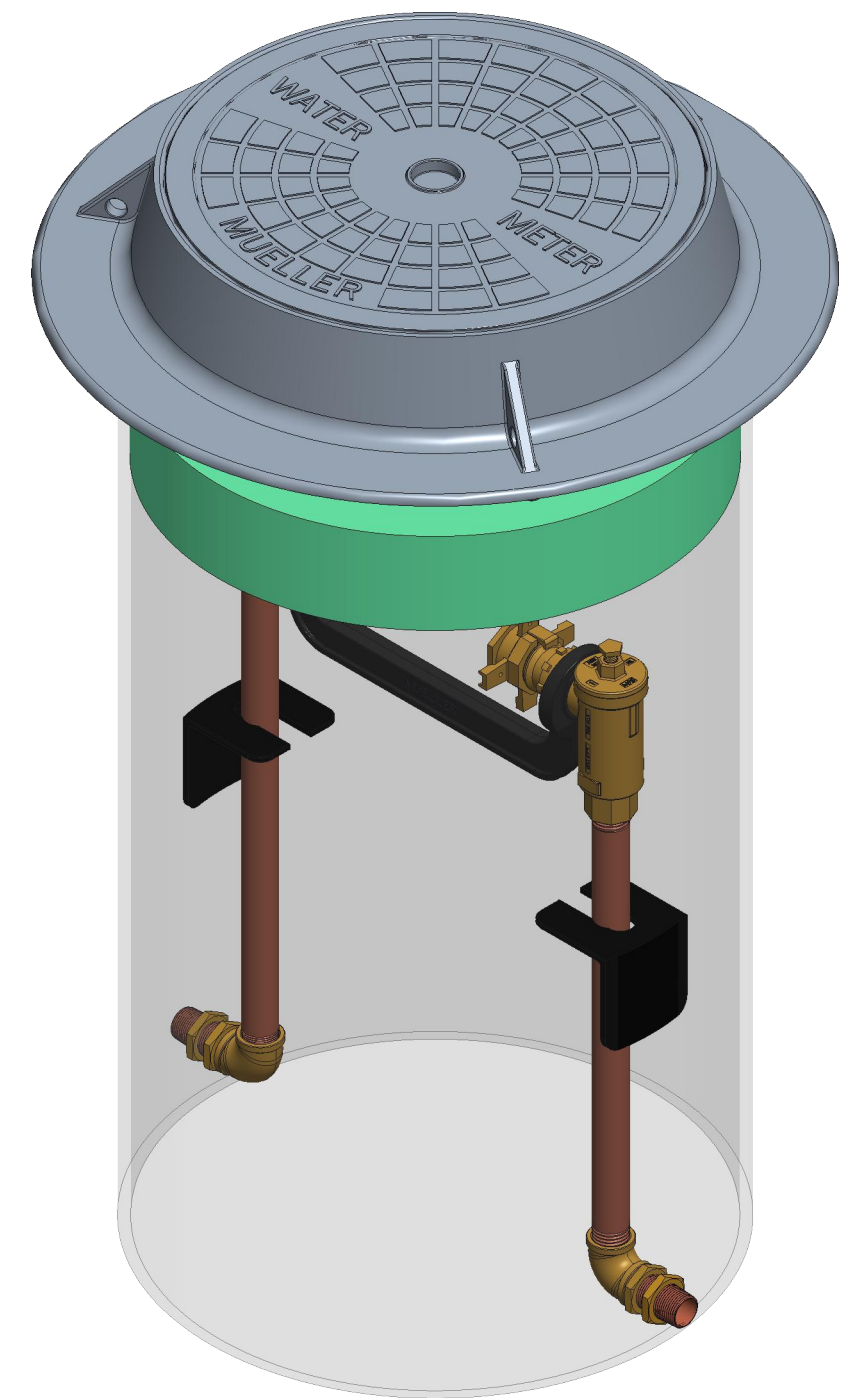
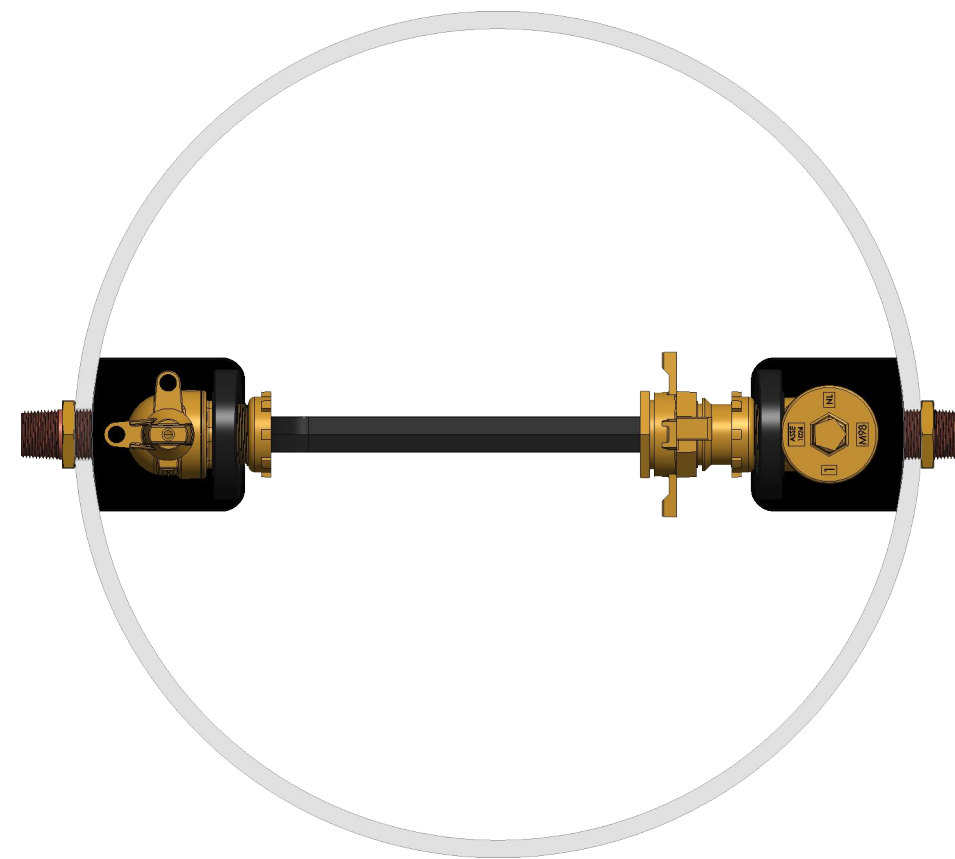
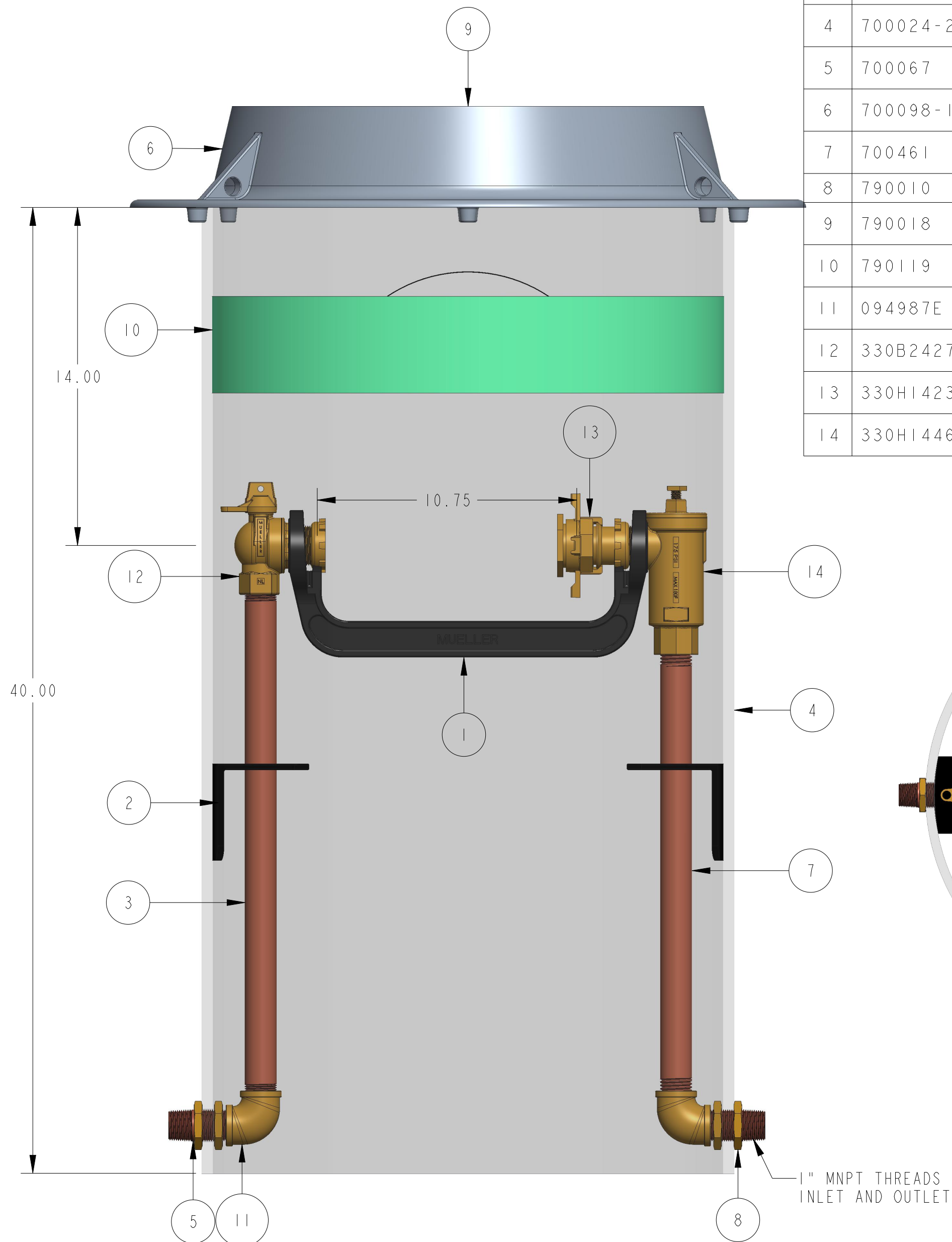


ITEM NO	PART NUMBER	QTY	DESCRIPTION	MATERIAL
1	526093-1	1	CAST IRON METER BAR	CAST IRON ASTM A126 CLASS B
2	546396	2	3/4" SUPPORT BRACKET	BLACK PLASTIC ABS
3	551397	1	THREADED PIPE 1" X 14"	RED BRASS ASTM B43 ALLOY C23000 O61 TEMPER ANNEALED
4	700024-2140	1	SHELL SUB-ASSEMBLY	SDR-51 PVC PIPE ASTM D2241 GRADE 1120
5	700067	2	NIPPLE 1" X 3"	RED BRASS ASTM B43 ALLOY C23000 O61 TEMPER ANNEALED
6	700098-1	1	CAST IRON FRAME (PURCHASED SEPARATELY)	CAST IRON ASTM A48 CLASS 25A
7	700461	1	1" BRASS PIPE	RED BRASS ASTM B43 ALLOY C23000 O61 TEMPER ANNEALED
8	790010	4	1" HEX NUT	ASTM B16 ALLOY C36000
9	790018	1	18" NON LOCKING FLAT LID (SOLD SEPERATELY)	CAST IRON
10	790119	1	21" X 4" INSULATION PAD (SOLD SEPARATELY)	ETHAFOAM 220 WHITE
11	094987E	2	1" FNPT ELBOW	CAST BRONZE ASTM B584 ALLOY C89833
12	330B24278N	1	1" BALL ANGLE METER VALVE LLB	LEAD FREE BRASS ALLOY ASTM B584 C89833/C87850
13	330HI4234N	1	1" HANDWHEEL EXPANSION UNIT	LEAD FREE BRASS ALLOY ASTM B584 C89833/C87850
14	330HI446405AN	1	1" ANGLE CHECK W/ TEST VALVE LLB	LEAD FREE BRASS ALLOY ASTM B584 C89833/C87850



DR. BY	AOD	8/09/22	UNLESS OTHERWISE NOTED	THIRD ANGLE PROJECTION	C.B. NO.
CHKR			BREAK CAST CORNER(S)---		
ENGR			BREAK MACH CORNER(S)---	PURCH.	FINISH
MGR			TOLERANCES	REF. NO.	SCALE
MFG			UNLESS OTHERWISE NOTED	STR. NO.	
TOOL			LINEAR	ANGULAR	
FDRY			±	±	
MAT'L:					
MUELLER			DESCR. 1" YOKE SINGLE METER PIT 21" DIA X 40" DEPTH LOW LEAD BRASS		NUMBER 330YS2140FVBSN