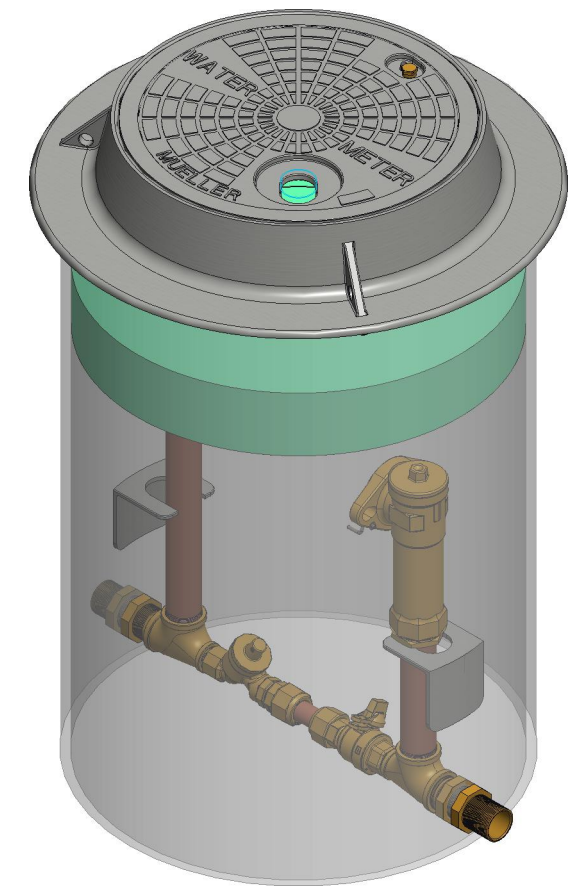
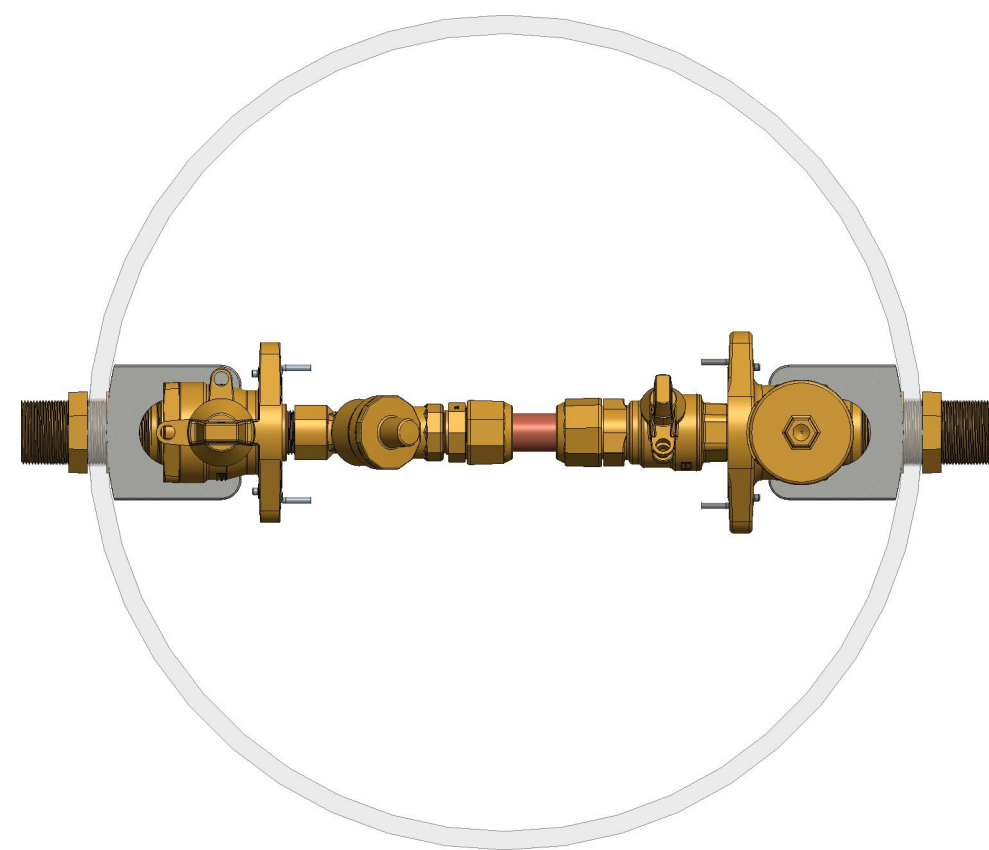
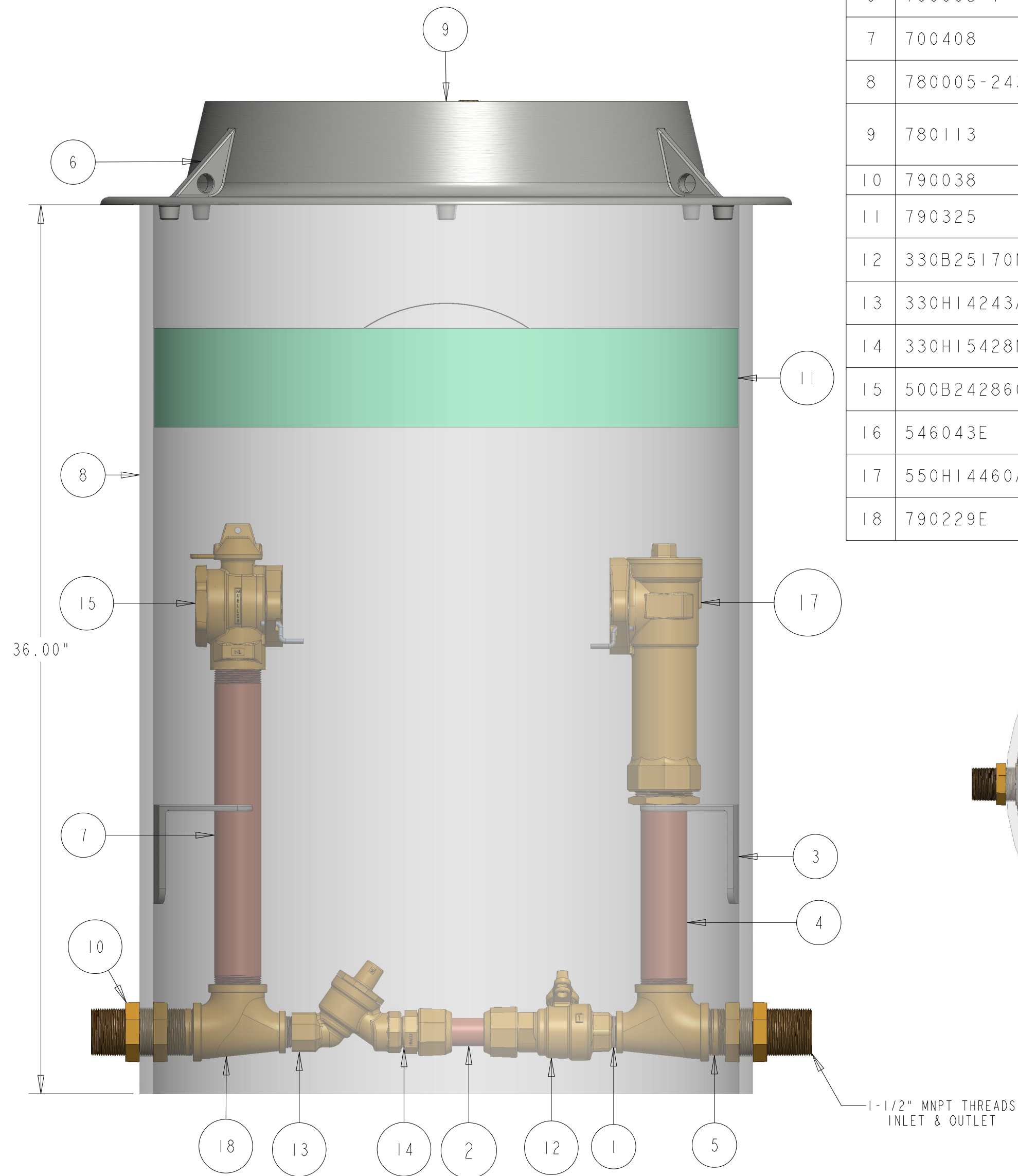


ITEM NO	PART NUMBER	QTY	DESCRIPTION	MATERIAL
1	047139	2	1" X 1-1/2" CLOSED NIPPLE	RED BRASS ASTM B43 ALLOY C23000 O61 TEMPER ANNEALED
2	146508	1	1" TUBE	ASTM B75 UNS C12200, H80 TEMPER
3	547401	2	SUPPORT BRACKET	BLACK PLASTIC ABS
4	548253	1	1-1/2" NIPPLE	SEAMLESS RED BRASS ASTM B43 ALLOY C23000 HARD TEMPER
5	700027	2	1-1/2" NIPPLE	RED BRASS ASTM B43 ALLOY C23000 HARD TEMPER
6	700098-1	1	CAST IRON FRAME (PURCHASED SEPARATELY)	CAST IRON ASTM A48 CLASS 25A
7	700408	1	1-1/2" PIPE PART 13.75" LONG	SEAMLESS RED BRASS ASTM B43 ALLOY C23000 HARD TEMPER
8	780005-2436	1	SHELL SUB ASSEMBLY	SDR-51 PVC PIPE ASTM D2241 GRADE 1120
9	780113	1	18" DIA CAST IRON LID W/ RECESSED TR (SOLD SEPARATELY)	CAST IRON ASTM A125 CLASS B AND CAST BRONZE ASTM B584/B62 ALLOY C84400/C83600
10	790038	4	1-1/2" HEX NUT	ASTM B16 ALLOY C36000
11	790325	1	24" X 4" EZ INSULATING PAD (OPTIONAL)	ETHAFOAM 220 WHITE OR POLYLAM 1.7 DENSITY WHITE
12	330B25170N	1	1" INLINE BALL VALVE (110 X FIP)	LEAD FREE BRASS ALLOY ASTM B584 C89833/C87850
13	330HI4243AN	1	1" INLINE ASSE CHECK VALVE	LEAD FREE BRASS ALLOY ASTM B584 C89833/C87850
14	330HI5428N	1	1" MIP X 1" CTS COMPRESSION TAILPIECE	LEAD FREE BRASS ALLOY ASTM B584 C89833/C87850
15	500B2428601N	1	1-1/2" FULL PORT BALL VALVE	LEAD FREE BRASS ALLOY ASTM B584 C89833/C87850
16	546043E	1	2" X 1-1/2" BRASS HEX BUSHING	ASTM B584 ALLOY C89520 OR C89833
17	550HI4460AN	1	2" ASSE APPROVED VERTICAL CHECK VALVE	LEAD FREE BRASS ALLOY ASTM B584 C89833/C87850
18	790229E	2	1-1/2" X 1" TEE	LEAD FREE BRASS ALLOY ASTM B584 C89833/C87850



OPT000312:
 > FOR 1" BYPASS WITH 1" ASSE APPROVED CHECK VALVE

DR. BY	AOD	4/12/22	UNLESS OTHERWISE NOTED	THIRD ANGLE PROJECTION	C.B. NO.
CHKR			BREAK CAST CORNER(S)---		
ENGR			BREAK MACH CORNER(S)---	PURCH.	FINISH
MGR			TOLERANCES	REF. NO.	PATT. NO.
MFG			UNLESS OTHERWISE NOTED	SCALE	
TOOL			LINEAR	ANGULAR	
FDRY			±	±	STR. NO.

MAT'L:

MUELLER	DESCR: 1-1/2" VAULT BY-PASS METER PIT 24" DIA X 36" DEPTH LOW LEAD BRASS	NUMBER 500VB2436FVBN
----------------	--	-------------------------