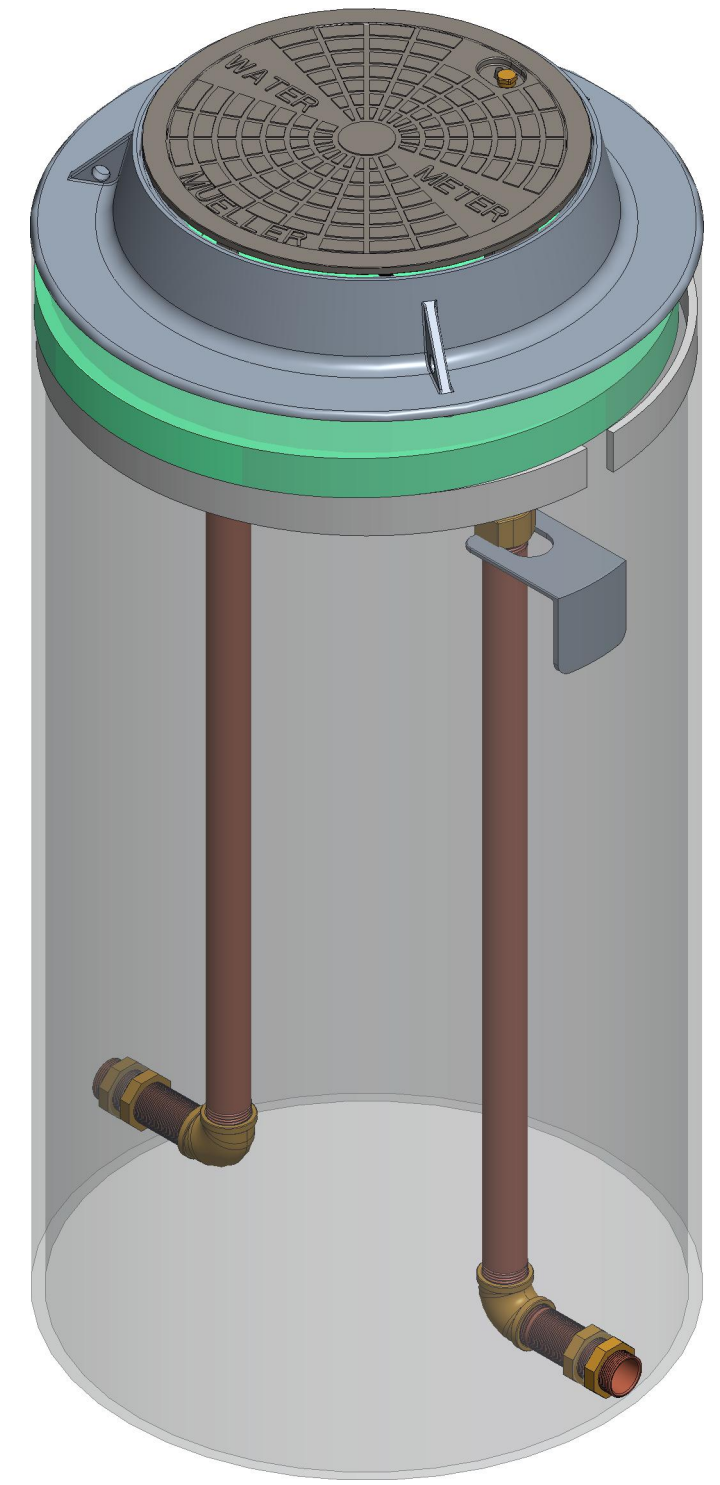
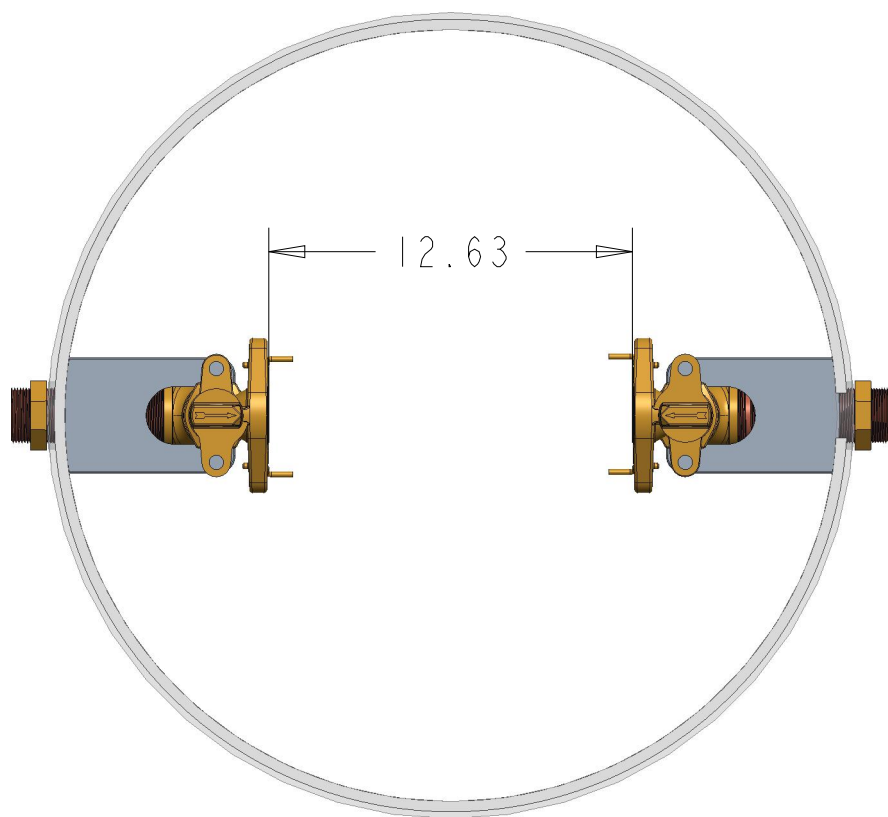
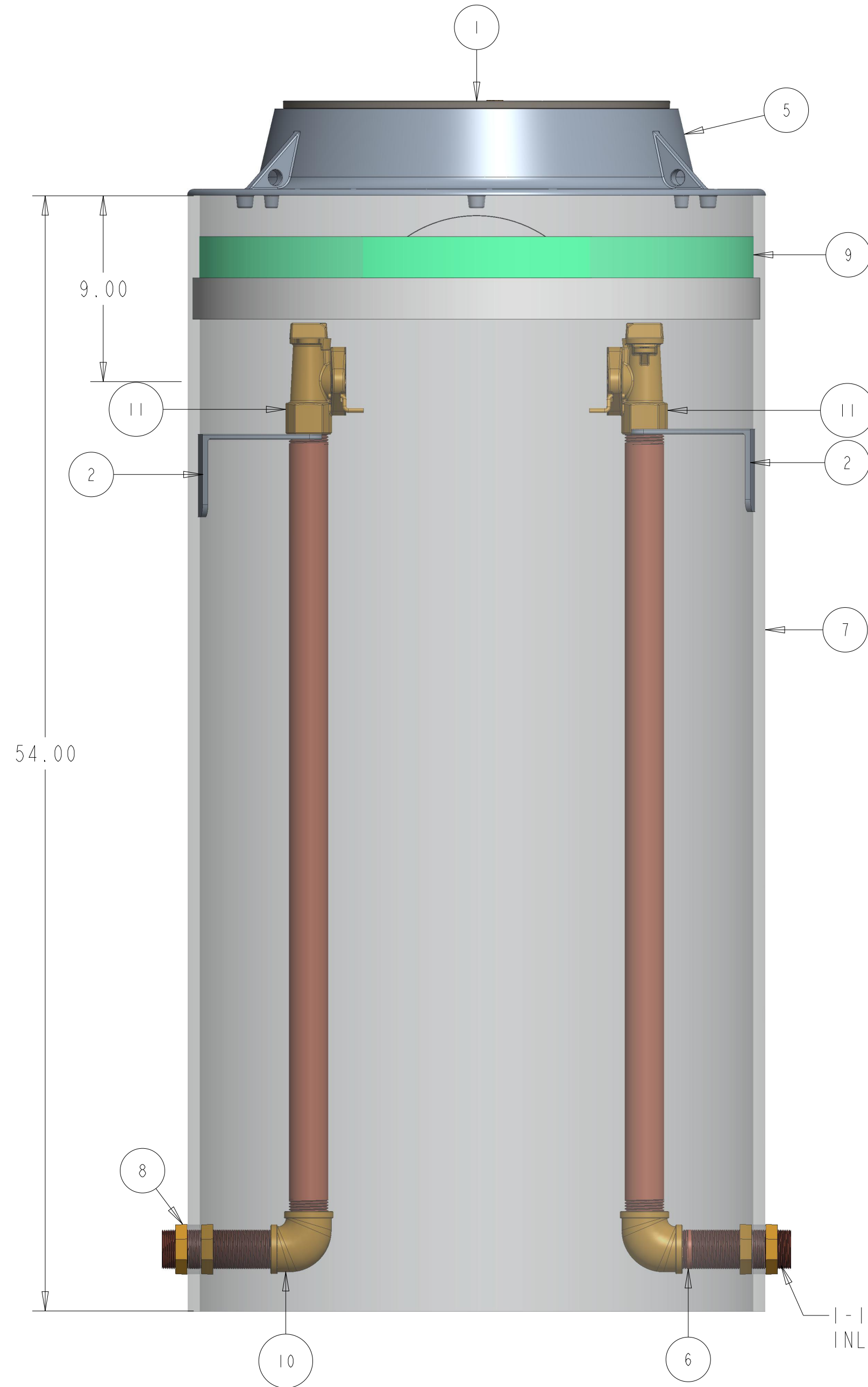


500VS2754LLBN000276N

ITEM NO	PART NUMBER	QTY	DESCRIPTION	MATERIAL
1	282925	1	18" DIA CAST IRON SIDE LOCKING LID (SOLD SEPARATELY)	CAST IRON ASTM A126 CLASS B
2	547404	2	SUPPORT BRACKET	BLACK PLASTIC ABS
3	549505	2	1-1/2" BRASS PIPE	RED BRASS ASTM B43 ALLOY C23000 HARD TEMPER
4	551860	1	SUPPORT BRACKET	SDR-51 PVC PIPE ASTM D2241 GRADE 1120
5	700098-1	1	CAST IRON FRAME (PURCHASED SEPARATELY)	CAST IRON ASTM A48 CLASS 25A
6	700512	2	1-1/2" NIPPLE	RED BRASS ASTM B43 ALLOY C23000 HARD TEMPER
7	780007-2754	1	SHELL SUB ASSEMBLY	SDR-51 PVC PIPE ASTM D2241 GRADE 1120
8	790038	4	1-1/2" HEX NUT	ASTM B16 ALLOY C36000
9	790326	1	27" INSULATION PAD (SOLD SEPARATELY)	ETHAFOAM 220 WHITE OR POLYLAM 1.7 DENSITY WHITE
10	094988E	2	1-1/2" 90 DEG ELBOW	CAST BRONZE ASTM B584 ALLOY C89833
11	500HI428601N	2	1-1/2" ANGLE METER STOP	LEAD FREE BRASS ALLOY ASTM B584 C89833/C87850



1-1/2" NPT THREADS INLET AND OUTLET

DR. BY	BBF	06/20/18	UNLESS OTHERWISE NOTED	THIRD ANGLE PROJECTION	C.B. NO.
CHKR			BREAK CAST CORNER(S)---		
ENGR			BREAK MACH CORNER(S)---	PURCH.	FINISH
MGR			TOLERANCES	REF. NO.	PATT. NO.
MFG			UNLESS OTHERWISE NOTED	SCALE	
TOOL			LINEAR	ANGULAR	
FDRY			±	±	STR. NO.
MAT'L:					
MUELLER			DESCR. 1-1/2" VAULT TANDEM METER PIT 27" DIA X 54" DEPTH LOW LEAD BRASS		NUMBER 500VS2754LLBN000276N