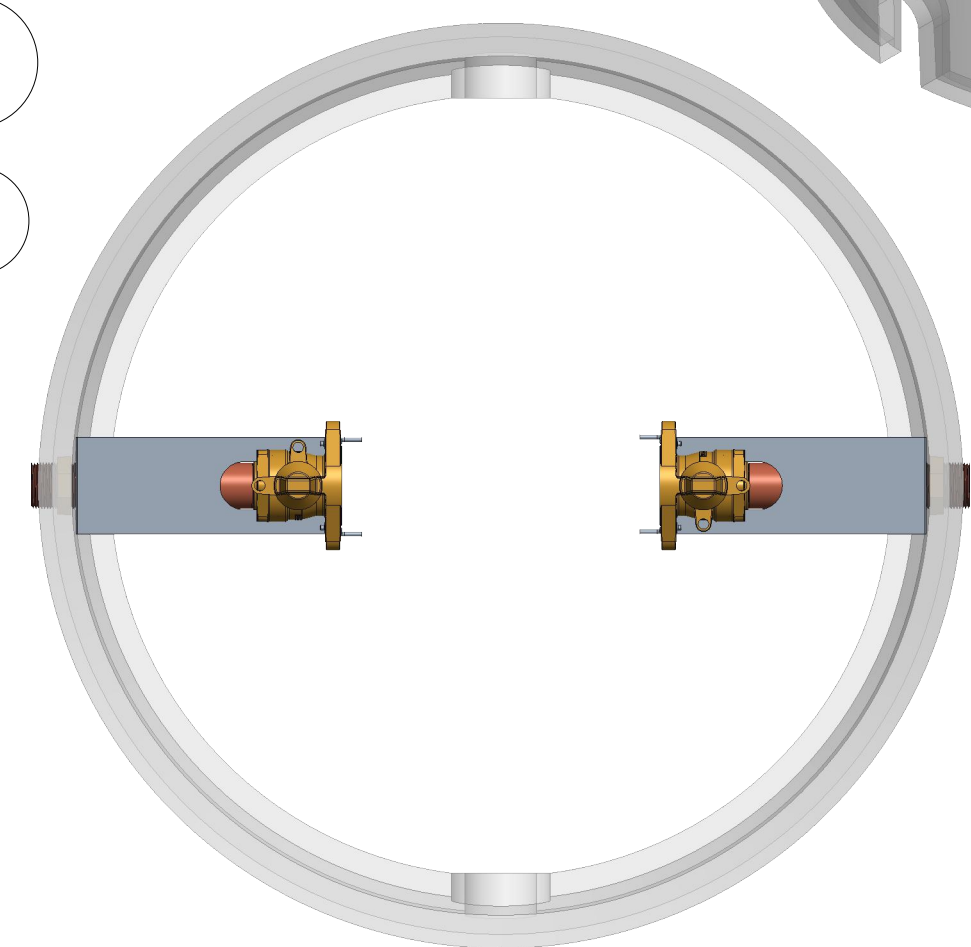
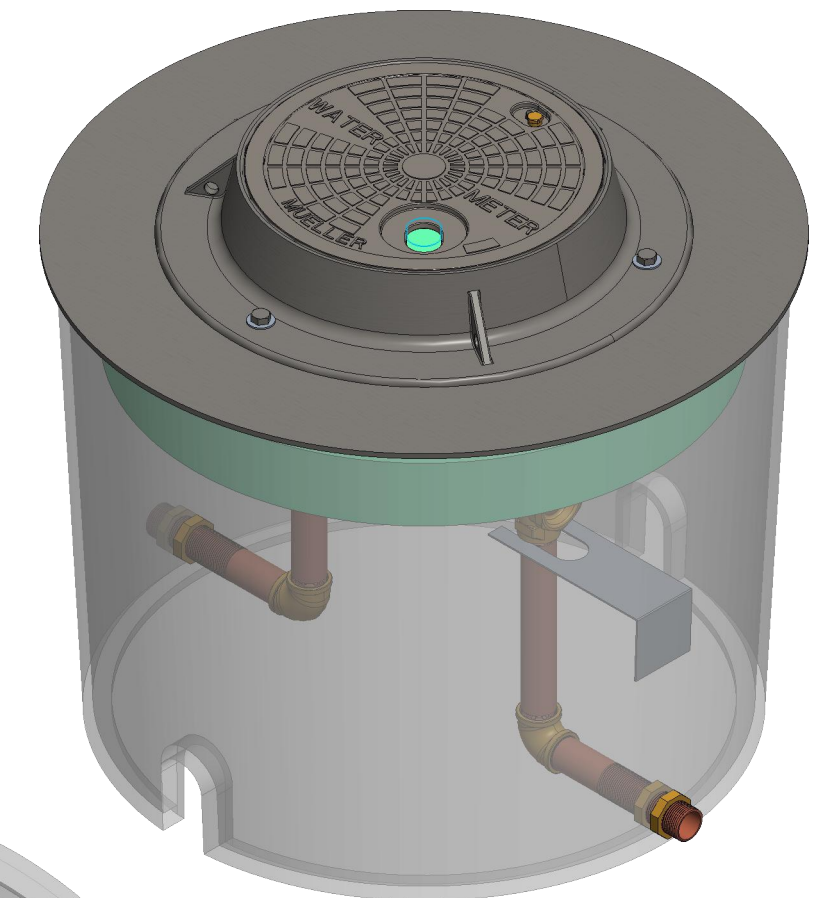
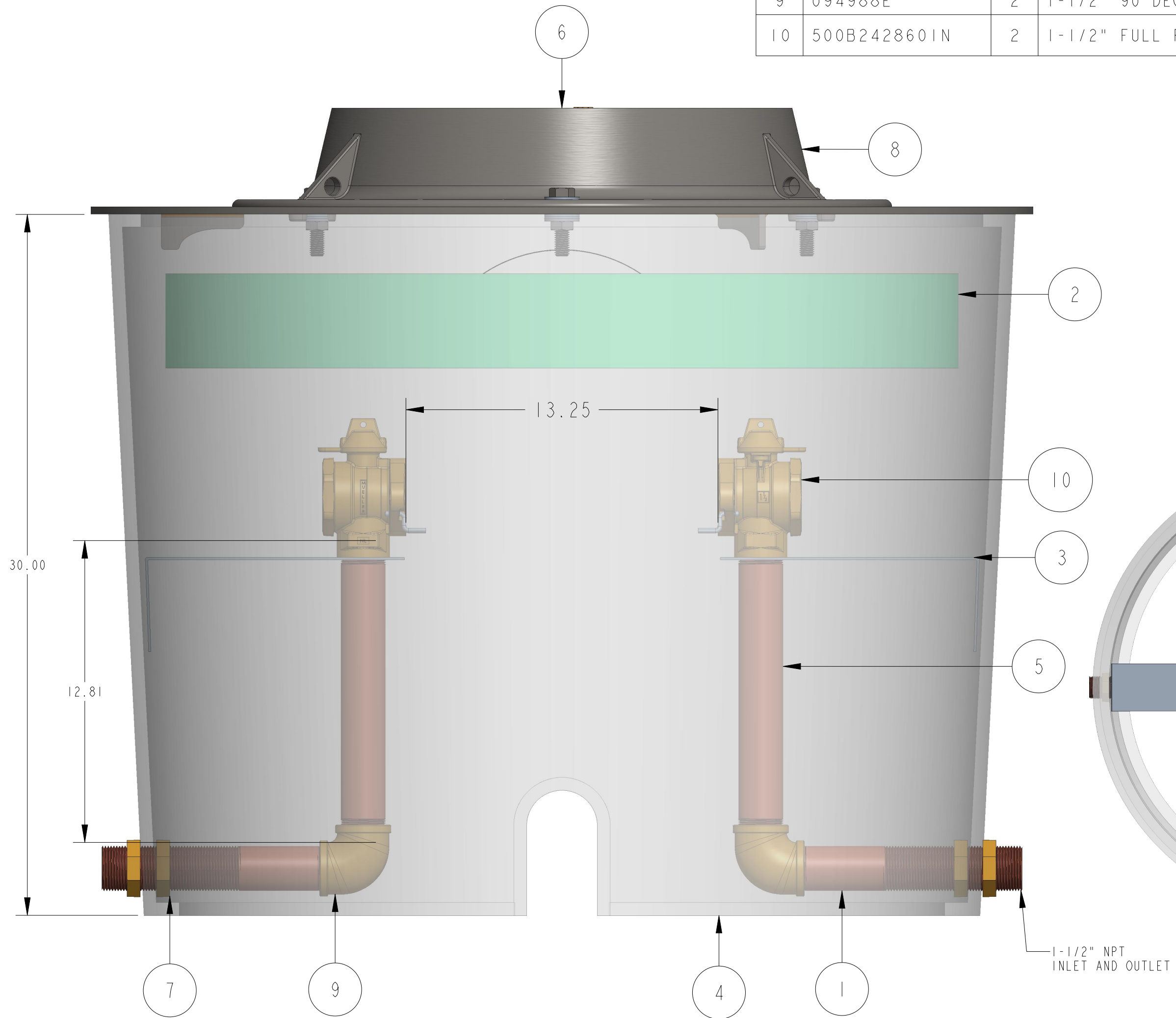


500VS3630FFBN

ITEM NO	PART NUMBER	QTY	DESCRIPTION	MATERIAL
1	534894	2	1-1/2" X 10" BULKHEAD NIPPLE	RED BRASS ASTM B43 ALLOY C23000 HARD TEMPER
2	547743	1	36" INSULATION PAD (SOLD SEPERATELY)	ETHAFOAM 220 WHITE OR POLYLAM 1.7 DENSITY WHITE
3	548554	2	STAINLESS STEEL SUPPORT BRACKET	12 GAUGE STAINLESS STEEL
4	548868	1	36" x 30" SHELL	POLYETHELINE
5	551010	2	THREADED PIPE 1-1/2" X 12-13/16"	RED BRASS ASTM B43 ALLOY C23000 HARD TEMPER
6	780113	1	18" DIA CAST IRON LID W/ RECESSED TR (SOLD SEPERATELY)	CAST IRON ASTM A125 CLASS B AND CAST BRONZE ASTM B584/B62 ALLOY C84400/C83600
7	790038	4	1-1/2" HEX NUT	ASTM B16 ALLOY C36000
8	790438	1	36" EXTENSION RING W/ 18" OPENING (SOLD SEPERATELY)	CAST IRON ASTM A48 CLASS 25A AND 0.375" A36 CARBON STEEL
9	094988E	2	1-1/2" 90 DEG ELBOW	CAST BRONZE ASTM B584 ALLOY C89833
10	500B242860IN	2	1-1/2" FULL PORT BALL VALVE	LEAD FREE BRASS ALLOY ASTM B584 C89833/C87850



DR. BY	SLV	7/22/20	UNLESS OTHERWISE NOTED		THIRD ANGLE PROJECTION		C.B. NO.
CHKR			BREAK CAST CORNER(S)---				
ENGR			BREAK MACH CORNER(S)---		PURCH.	FINISH	PATT. NO.
MGR			TOLERANCES		REF. NO.	SCALE	
MFG			UNLESS OTHERWISE NOTED				
TOOL			LINEAR	ANGULAR			
FDRY			±	±	STR. NO.		
MAT'L:							
<b>MUELLER</b>			DESCR. 1-1/2" VAULT SINGLE METER PIT 36" DIA. X 30" DEPTH LEAD FREE BRASS			NUMBER 500VS3630FFBN	