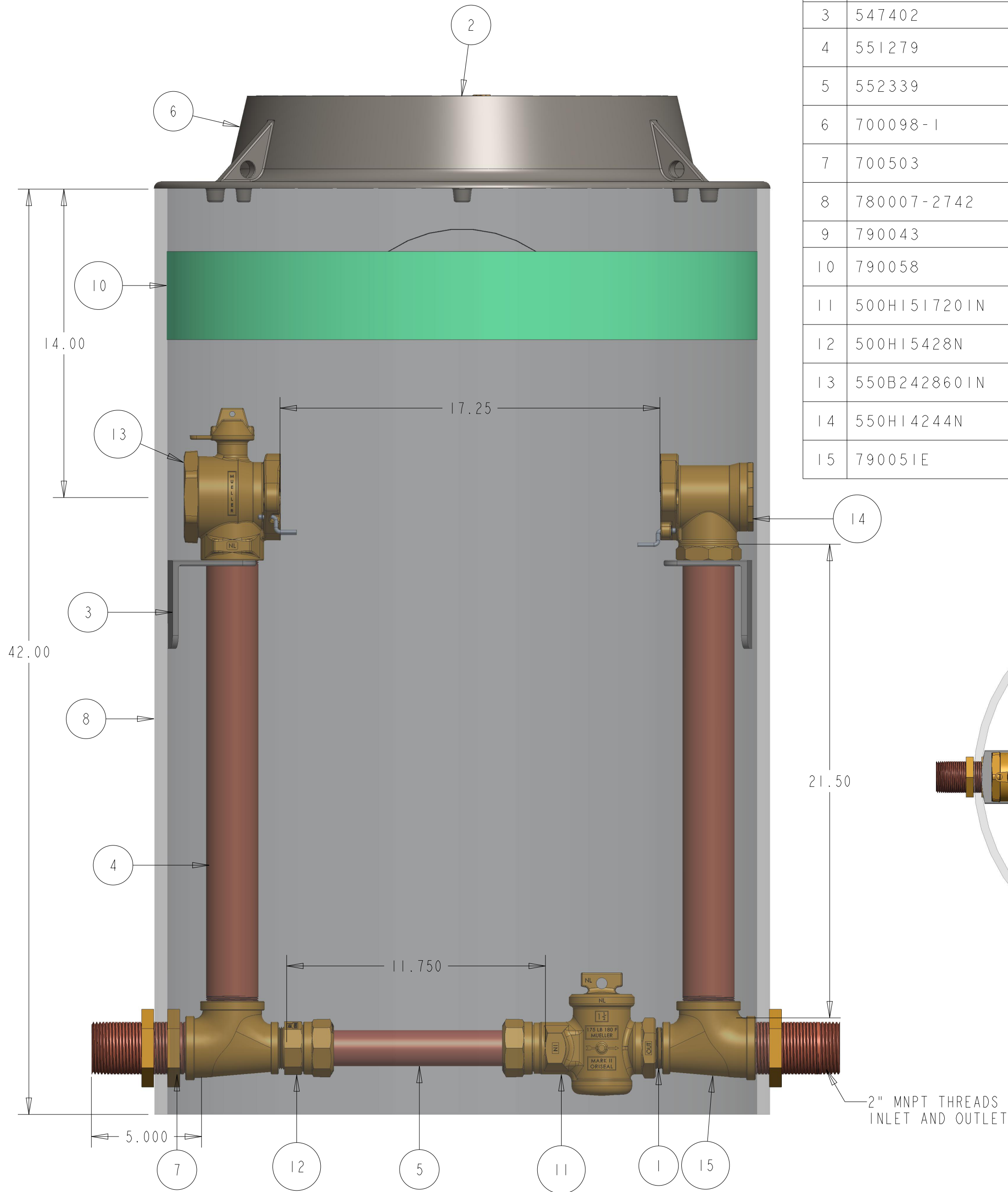
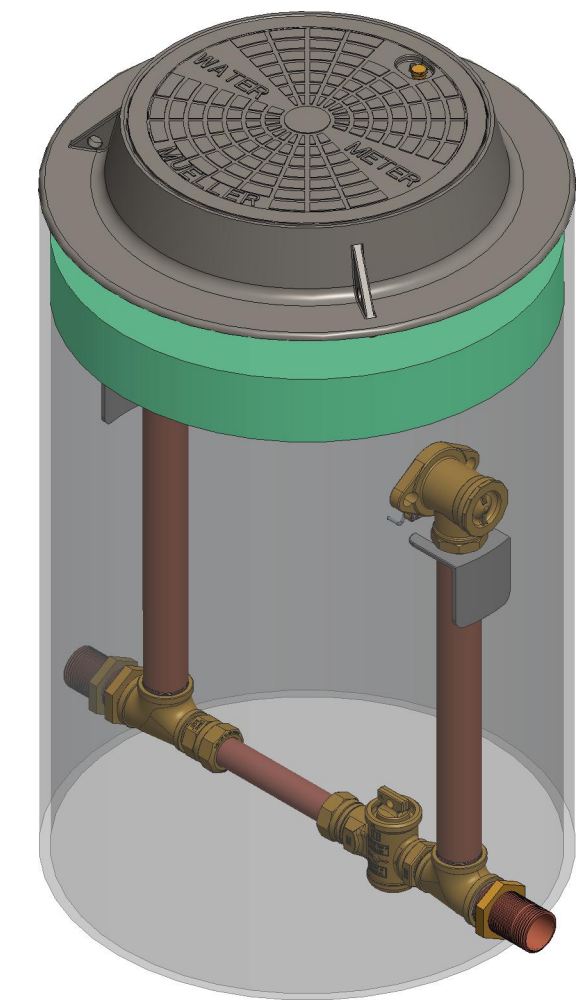
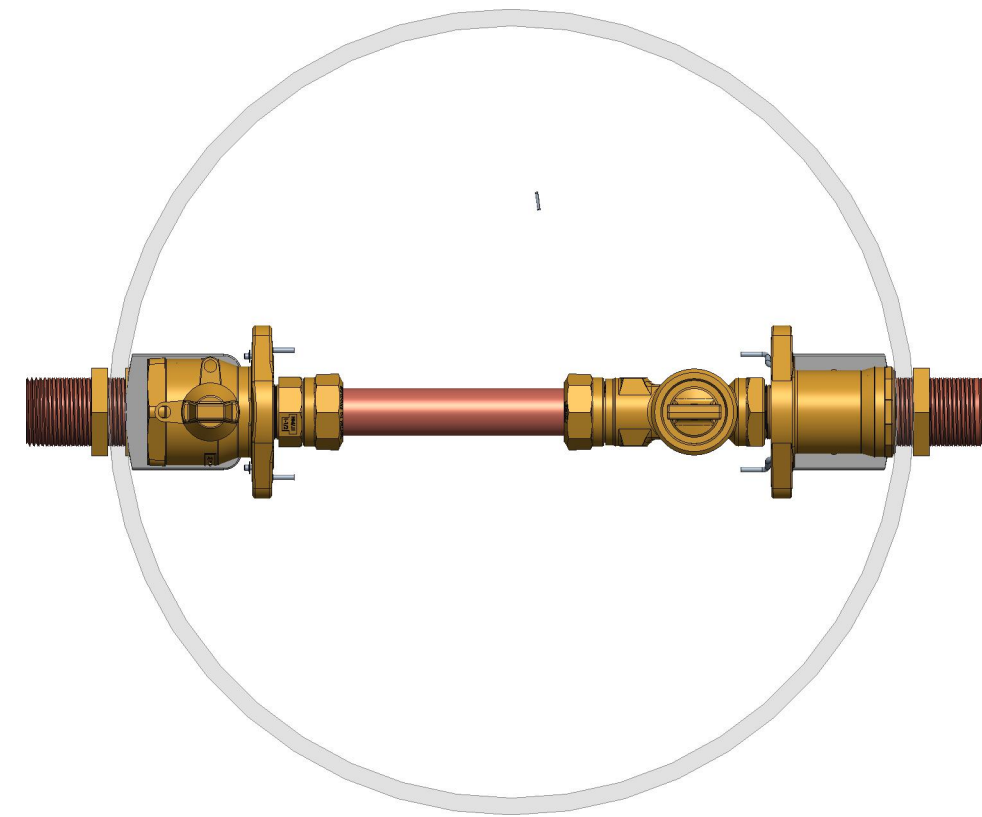


550VB2742FBBN



ITEM NO	PART NUMBER	QTY	DESCRIPTION	MATERIAL
1	047141	1	1-1/2" CLOSED NIPPLE	RED BRASS ASTM B43 ALLOY C23000 HARD TEMPER
2	282925	1	18" DIA CAST IRON SIDE LOCKING LID (SOLD SEPARATELY)	CAST IRON ASTM A126 CLASS B
3	547402	2	SUPPORT BRACKET	ABS BLACK PLASTIC
4	551279	2	THREADED PIPE	RED BRASS ASTM B43 ALLOY C2300 HARD TEMPER
5	552339	1	COPPER TUBING	COPPER TUBING ASTM B75 UNS C12200, H80 TEMPER
6	700098-1	1	CAST IRON FRAME (PURCHASED SEPARATELY)	CAST IRON ASTM A48 CLASS 25A
7	700503	2	PIPE PART	RED BRASS ASTM B43 ALLOY C23000 HARD TEMPER
8	780007-2742	1	27" DIA SHELL SUB ASSEMBLY	SDR-51 PVC PIPE ASTM D2241 GRADE 1120
9	790043	3	2" HEX NUT	ASTM B16 ALLOY C36000
10	790058	1	27" X 4" INSULATION PAD (PURCHASED SEPARATELY)	ETHAFOAM 220 WHITE OR POLYLAM 1.7 DENSITY WHITE
11	500HI51720IN	1	1-1/2" ORISEAL VALVE	LEAD FREE BRASS ALLOY ASTM B584 C89833/C87850
12	500HI5428N	1	1-1/2" 110 COMP X MIP TAILPIECE	LEAD FREE BRASS ALLOY ASTM B584 C89833/C87850
13	550B242860IN	1	2" FULL PORT BALL VALVE	LEAD FREE BRASS ALLOY ASTM B584 C89833/C87850
14	550HI4244N	1	2" DUAL CHECK VALVE	LEAD FREE BRASS ALLOY ASTM B584 C89833/C87850
15	790051E	2	2" X 2" X 1-1/2" TEE	ASTM B584 ALLOY C89520 OR C89833



2" MNPT THREADS INLET AND OUTLET

DR. BY	AOS	08/28/18	UNLESS OTHERWISE NOTED	THIRD ANGLE PROJECTION	C.B. NO.
CHKR			BREAK CAST CORNER(S)---		
ENGR			BREAK MACH CORNER(S)---	PURCH.	FINISH
MGR			TOLERANCES	REF. NO.	SCALE
MFG			UNLESS OTHERWISE NOTED	STR. NO.	
TOOL			LINEAR	ANGULAR	
FDRY			±	±	
MAT'L:					
<b>MUELLER</b>		DESCR. 2" VAULT BY-PASS METER PIT 27" DIA X 42" DEPTH LOW LEAD BRASS		NUMBER 550VB2742FBBN	