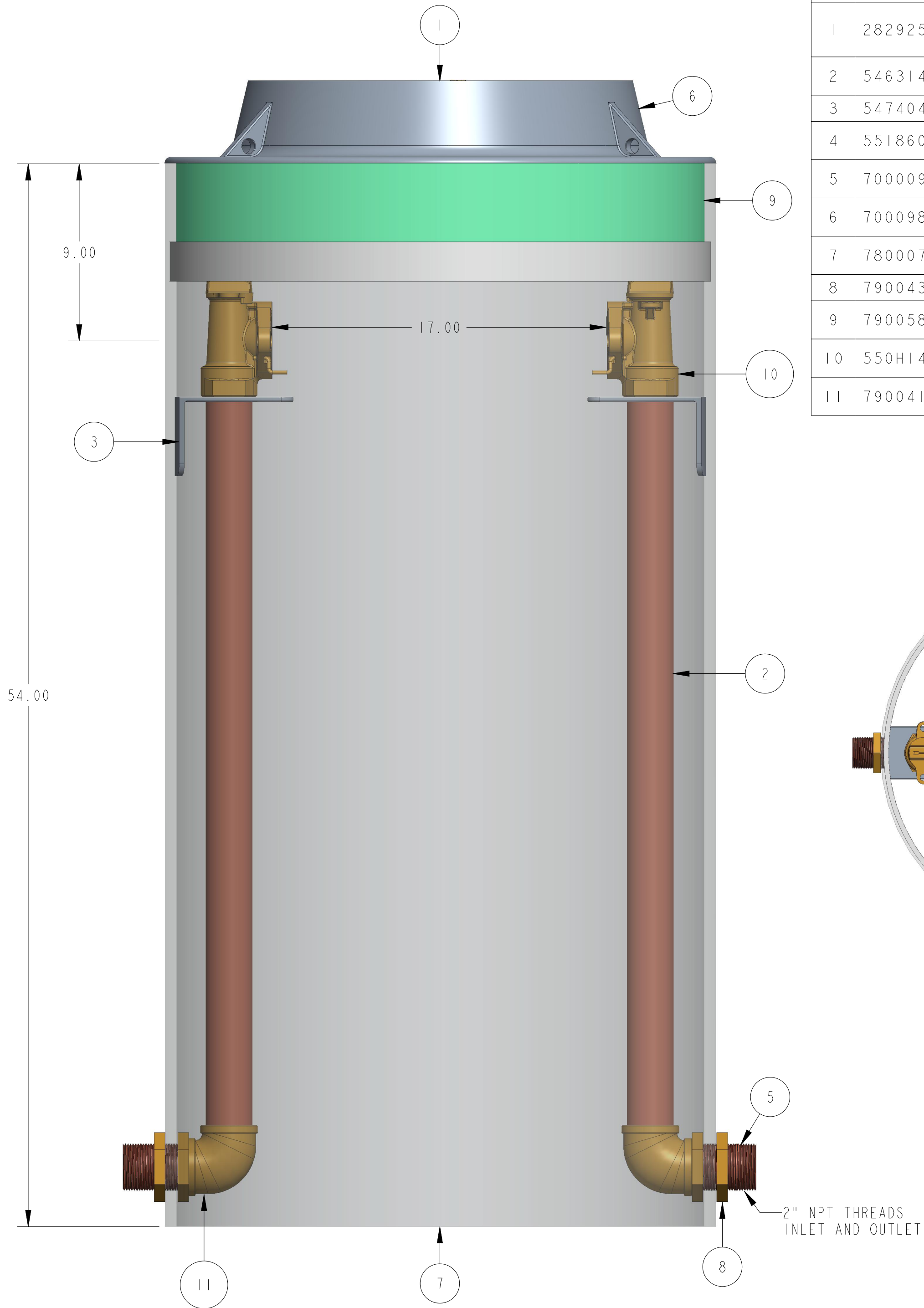
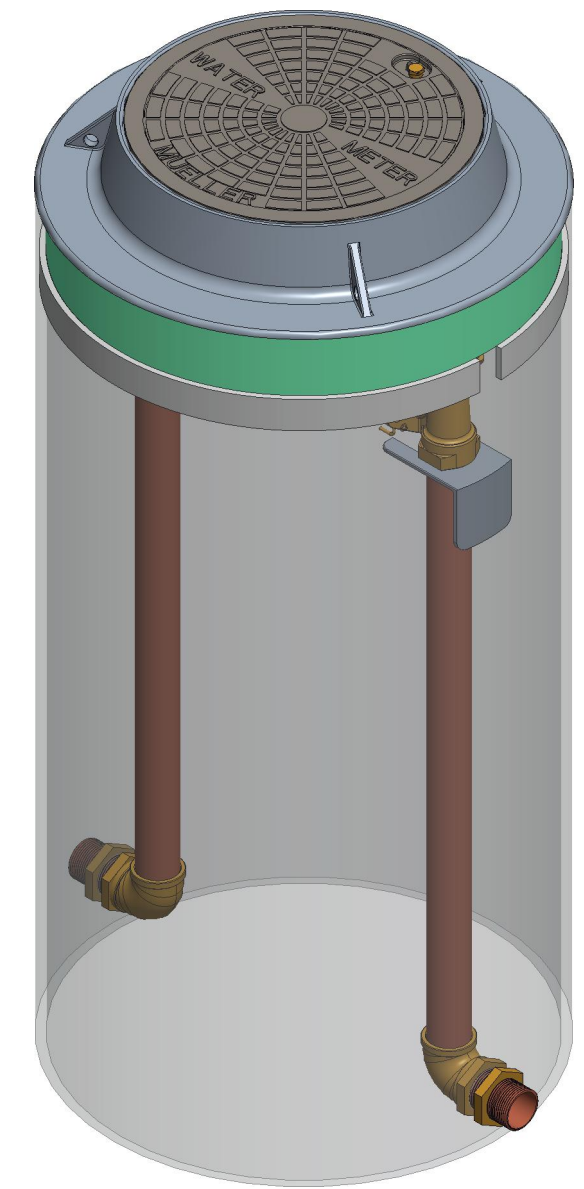
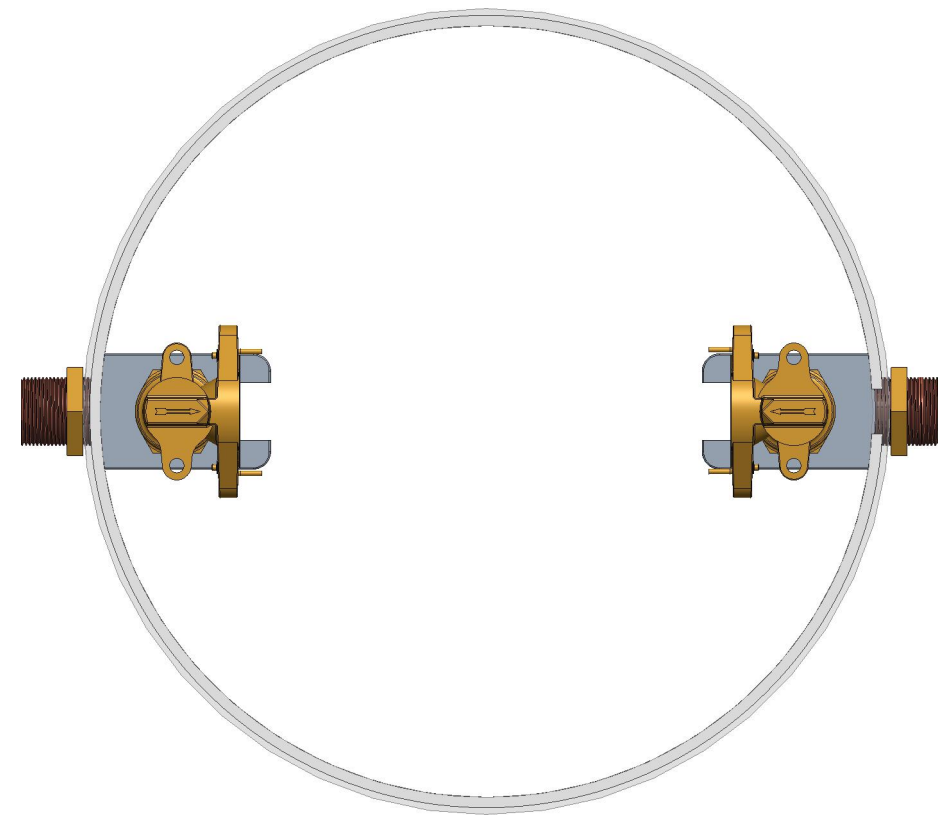


550VS2754LLBN000276N



ITEM NO	PART NUMBER	QTY	DESCRIPTION	MATERIAL
1	282925	1	18" DIA CAST IRON SIDE LOCKING LID (SOLD SEPARATELY)	CAST IRON ASTM A126 CLASS B
2	546314	2	2" THREADED PIPE	RED BRASS ASTM B43 ALLOY C23000 HARD TEMPER
3	547404	2	SUPPORT BRACKET	BLACK PLASTIC ABS
4	551860	1	SUPPORT BRACKET	SDR-51 PVC PIPE ASTM D2241 GRADE 1120
5	700009	2	BULKHEAD NIPPLE	RED BRASS ASTM B43 ALLOY C23000 HARD TEMPER
6	700098-1	1	CAST IRON FRAME (PURCHASED SEPARATELY)	CAST IRON ASTM A48 CLASS 25A
7	780007-2754	1	SHELL SUB ASSEMBLY	SDR-51 PVC PIPE ASTM D2241 GRADE 1120
8	790043	4	2" HEX NUT	ASTM B16 ALLOY C36000
9	790058	1	27" X 4" INSULATION PAD (PURCHASED SEPARATELY)	ETHAFOAM 220 WHITE OR POLYLAM 1.7 DENSITY WHITE
10	550H1428601N	2	2" ANGLE METER STOP	LEAD FREE BRASS ALLOY ASTM B584 C89833/C87850
11	790041E	2	ELBOW	CAST BRONZE ASTM B584 ALLOY C89833



OPTION CODE 276:
 *CENTERLINE OF METER IS 9" FROM TOP OF SHELL

DR. BY	AOD	1/13/22	UNLESS OTHERWISE NOTED	THIRD ANGLE PROJECTION	C.B. NO.
CHKR			BREAK CAST CORNER(S)---		
ENGR			BREAK MACH CORNER(S)---	PURCH.	FINISH
MGR			TOLERANCES	REF. NO.	PATT. NO.
MFG			UNLESS OTHERWISE NOTED	SCALE	
TOOL			LINEAR	ANGULAR	
FDRY			±	±	STR. NO.
MAT'L:					
MUELLER			DESCR. 2" VAULT SINGLE METER PIT 27" DIA X 54" DEPTH LEAD FREE BRASS		NUMBER 550VS2754LLBN000276N