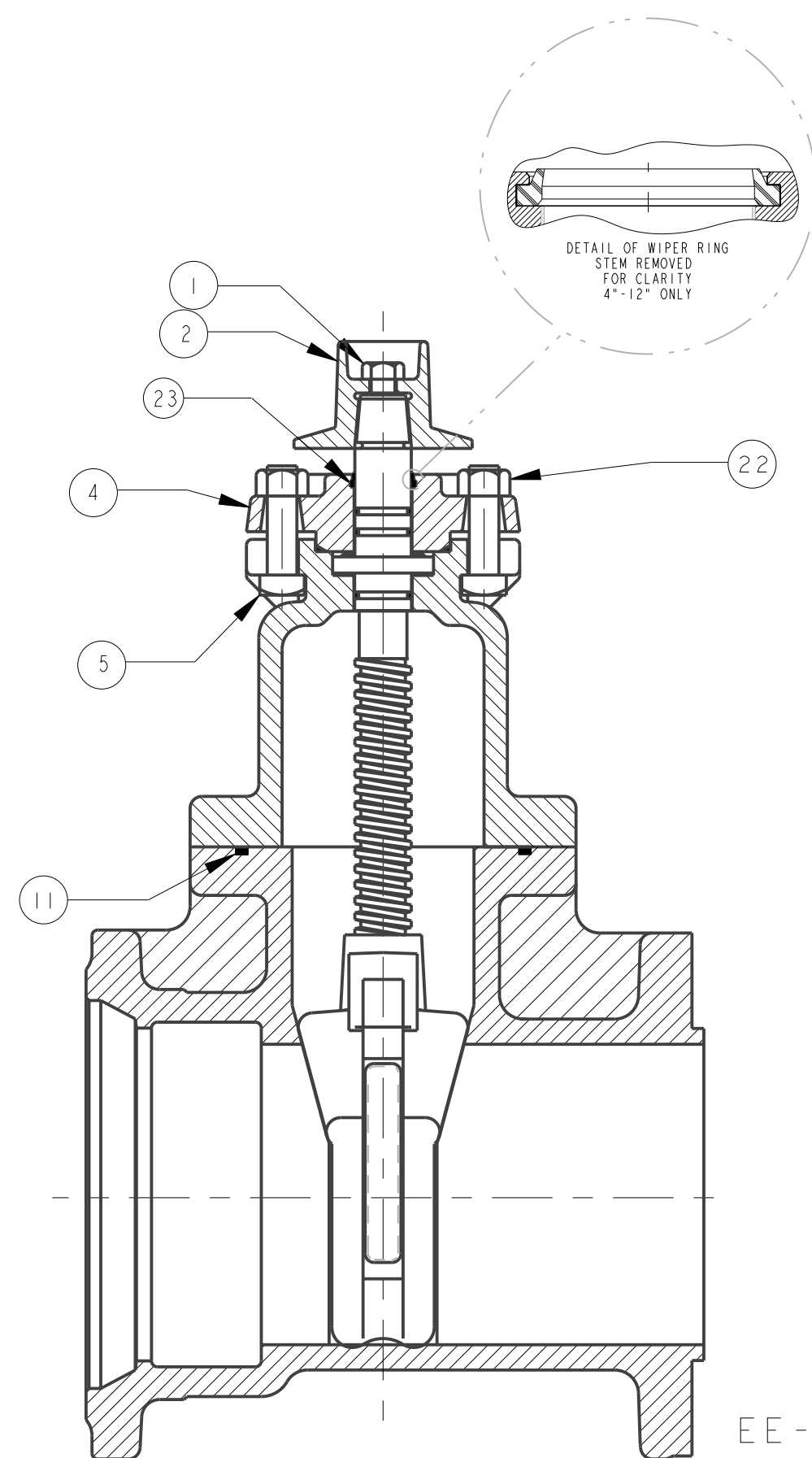
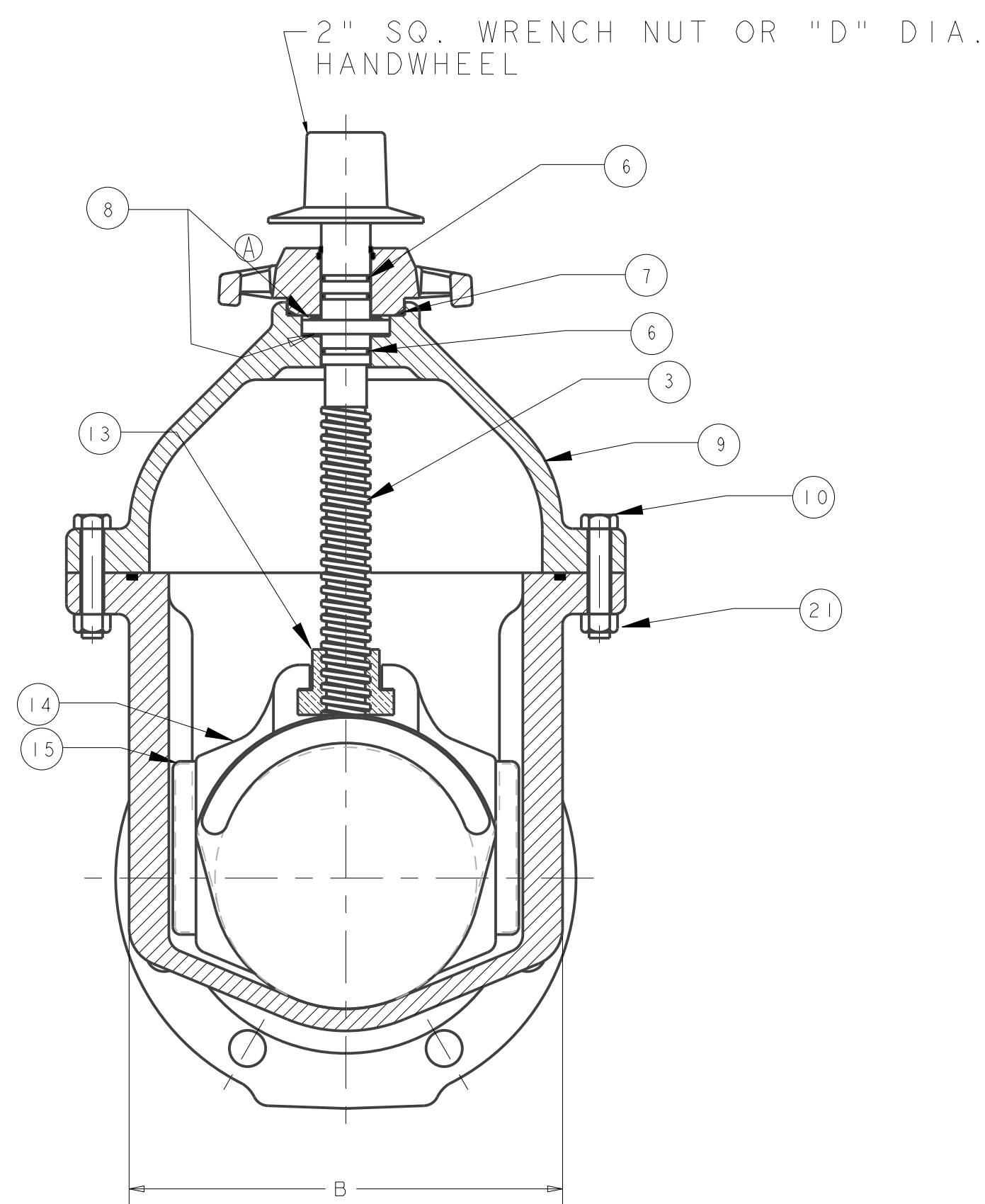
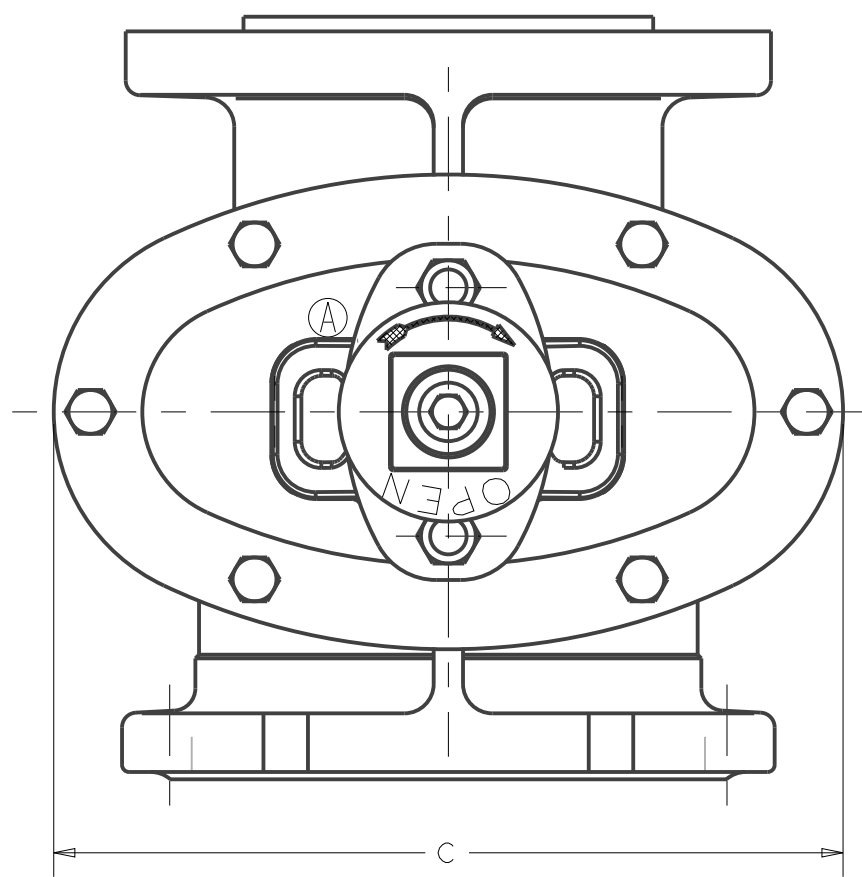
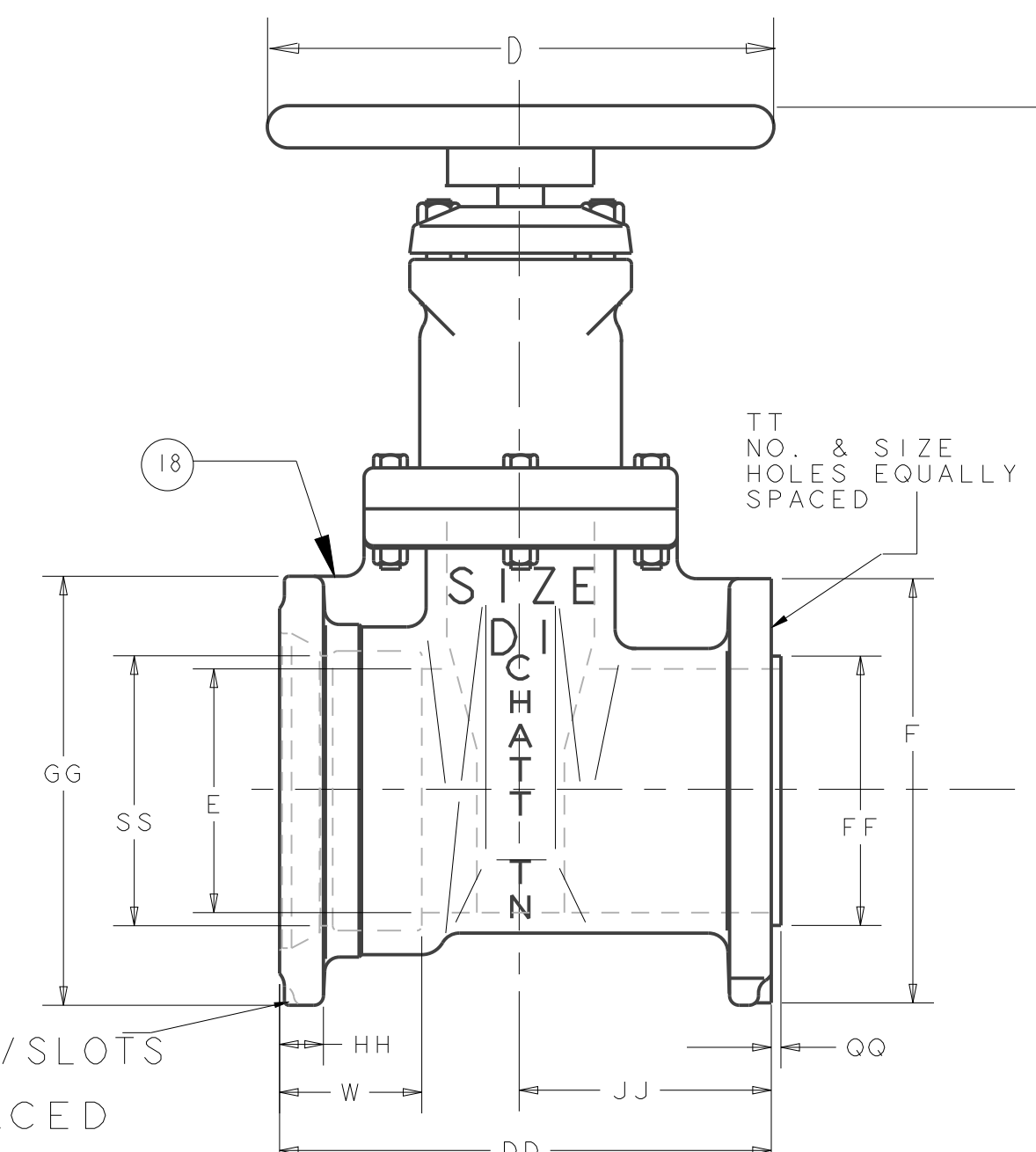


3"-12" T2362 TAPPING VALVES W/ DUCTILE IRON DISC & 316 SS FASTENERS



PARTS LIST					
ITEM	DESCRIPTION	REQ'D	MATERIAL	ASTM	
1	CAP SCREW	1	316 STAINLESS STEEL	F593	GROUP 2-CW
2	WRENCH NUT	1	CAST IRON (SEE NOTE 2)	A126	CLASS B
3	STEM	1	BRONZE	B138	ALLOY C67600
4	STUFFING BOX	1	DUCTILE IRON (1)	A536	
5	STUFFING BOX BOLT	2	316 STAINLESS STEEL	F593	GROUP 2-CW
6	O-RING	3	RUBBER	D2000	NITRILE
7	O-RING	1	RUBBER	D2000	NITRILE
8	ANTI-FRICTION WASHER	2	ACETAL		
9	BONNET	1	DUCTILE IRON	A536	
10	BONNET BOLT	"Z"	316 STAINLESS STEEL	F593	GROUP 2-CW
11	O-RING (SEE NOTE 2)	1	RUBBER	D2000	NITRILE
13	STEM NUT	1	BRONZE	B584	SEE NOTE 3 (3)
14	DISC	1	SEE NOTES 1 & 2		
15	GUIDE CAP	2	ACETAL		M90
17	HANDWHEEL	1	CAST IRON (SEE NOTE 2)	A126	CLASS B
18	BODY (M. J. TAPPING)	1	DUCTILE IRON	A536	
21	BONNET NUT	"Z"	316 STAINLESS STEEL	F594	GROUP 2-CW
22	STUFFING BOX NUT	2	316 STAINLESS STEEL	F594	GROUP 2-CW
23	WIPER RING (4"-12" ONLY)	1	RUBBER	D2000	NITRILE

NOTE:
 (1) 3"-12" RUBBER ENCAPSULATED DUCTILE IRON DISC
 DUCTILE IRON - ASTM A536
 RUBBER - SBR ASTM D2000
 (2) MANUFACTURER'S OPTION TO UPGRADE MAT'L
 TO D1 - ASTM A536
 (3) ALLOY C89833 OR ALLOY C87850



EE- NO & SIZE HOLES/SLOTS EQUALLY SPACED

FLANGE X MECHANICAL JOINT

VALVE SIZE	A	B	C	D	E	F	W	Z	DD	EE	FF	GG	HH	JJ	QQ	SS	TT	URNS TO OPEN	MIN WALL THICKNESS	LBS
3	12.38	6.01	8.63	8.00	3.30	7.50	2.56	4	8.80	4 - .75	3.984 3.954	7.50	1.00	4.55	0.18	4.08	4 - .75	11	.37	69
4	14.19	8.25	10.79	11.00	4.30	9.00	3.21	4	11.73	4 - .88	4.984 4.954	9.12	1.12	6.05	0.18	4.92	8 - .75	14	.42	99
6	18.00	10.50	13.50	13.00	6.30	11.00	3.03	6	12.75	6 - .88	6.984 6.954	11.12	1.18	6.50	0.25	7.03	8 - .88	20.5	.45	160
8	21.50	13.21	16.36	14.00	8.30	13.50	3.22	6	14.37	6 - .88	8.984 8.954	13.38	1.30	7.50	0.25	9.17	8 - .88	26.5	.52	254
10	25.50	16.48	19.99	16.00	10.30	16.00	2.50	8	15.70	8 - .88	10.984 10.954	15.69	1.37	8.27	0.25	11.20	12 - 1.0	33.0	.63	417
12	28.62	16.83	21.00	16.00	12.30	19.00	2.88	8	14.99	8 - .88	12.984 12.954	17.94	1.38	7.00	0.25	13.32	12 - 1.0	38.5	.69	525

(A) ECO 2586498
 UPDATED STUFFING BOX
 AO 4/17/20

(B) ECO 2643202
 ADDED 10" SIZE, 4 WAS 6, UPDATED NOTE 1, D1 WAS C1
 AO 12/10/20

(C) UPDATED STEM NUT MATERIAL OPTION
 SEC 09/20/22

APPROVED
 By Matt Sliger at 2:13 pm, Oct 06, 2022

DR BY	AO	8/15/14	UNLESS OTHERWISE NOTED	THIRD ANGLE PROJECTION	C.B. NO.
CHGR	JM	8/15/14	BREAK CAST CORNERS		
ENGR	CGH	8/15/14	BREAK MACH CORNERS	FINISH	PATT. NO.
MGR			TOLERANCES	NO	ASS
MFG			UNLESS OTHERWISE NOTED	REF. NO.	SCALE
TOOL			LINEAR		NONE
FDRY			ANGULAR	STK. NO.	
MATERIAL NOTED			DESCR. 3"-12" T2362 TAPPING VALVES W/ DUCTILE IRON DISC & 316 SS FASTENERS		
NUMBER			7178		