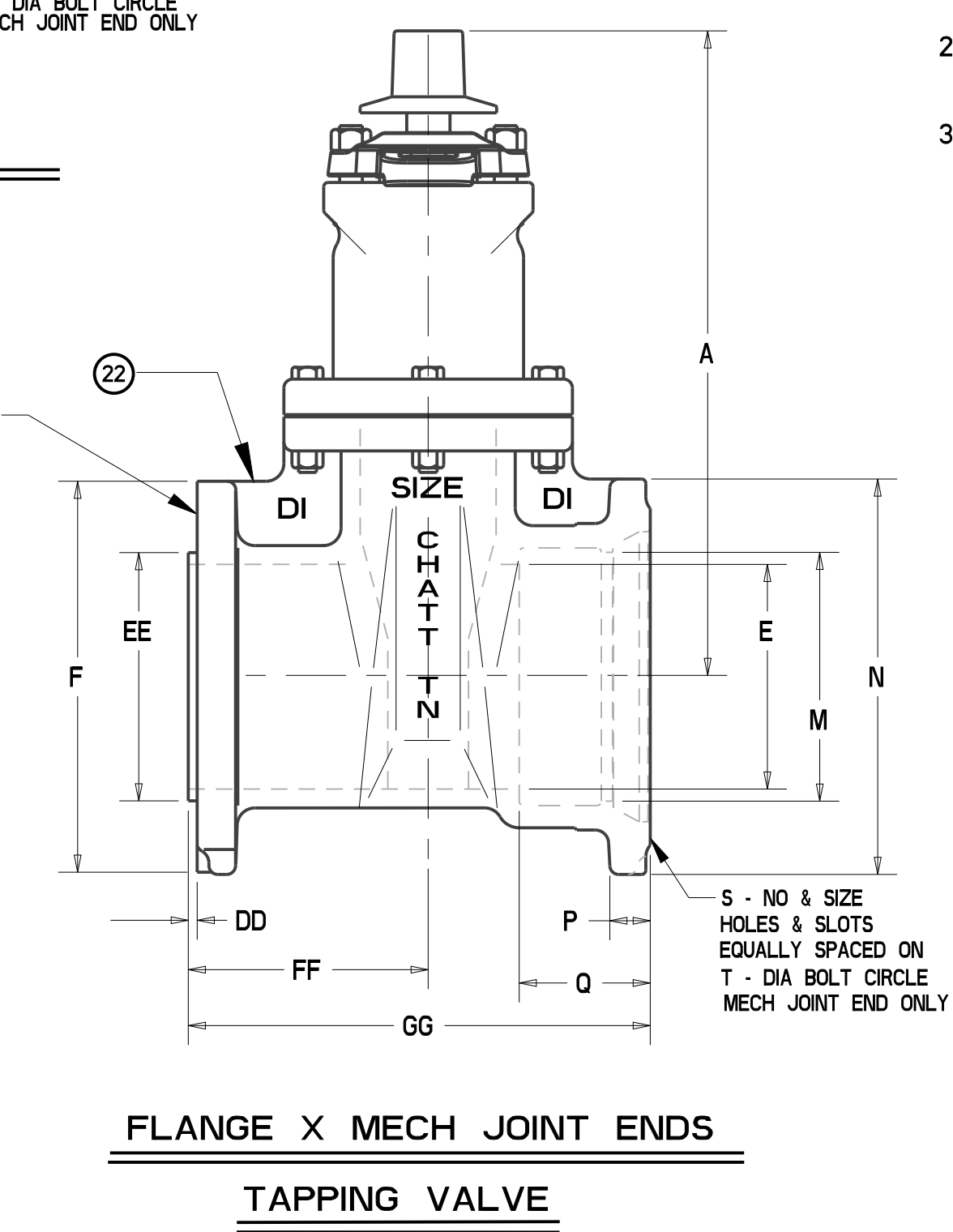
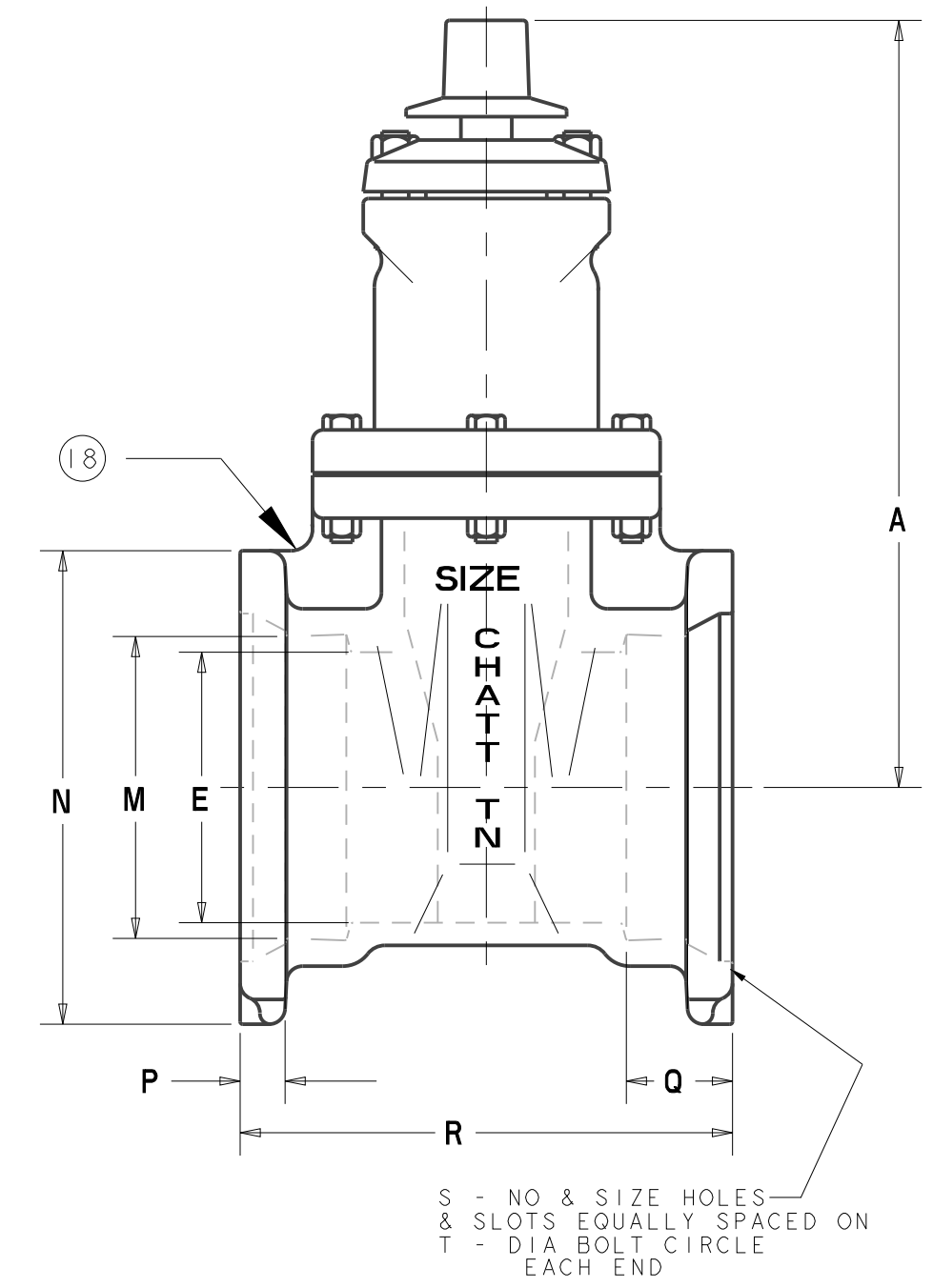


FLANGE X MECH JOINT ENDS



FLANGE X MECH JOINT ENDS TAPPING VALVE



MECHANICAL JOINT ENDS

PART LIST					
ITEM	DESCRIPTION	REQ'D	MATERIAL	ASTM	NOTES
1	CAP SCREW	1	316 STAINLESS STEEL	F593	GROUP 2-CW
2	WRENCH NUT	1	DUCTILE IRON	A536	
3	STEM	1	BRONZE	B138	ALLOY C67600
4	STUFFING BOX	1	DUCTILE IRON	A536	
5	STUFFING BOX BOLTS STUFFING BOX NUTS	2	316 STAINLESS STEEL 316 STAINLESS STEEL	F593 F594	GROUP 2-CW GROUP 2-CW
6	O-RING	3	RUBBER	D2000	R34
7	O-RING	1	RUBBER	D2000	R34
8	ANTI-FRICTION WASHER	2	ACETAL		
9	BONNET	1	DUCTILE IRON	A536	
10	BONNET BOLTS BONNET NUTS	"Z"	316 STAINLESS STEEL 316 STAINLESS STEEL	F593 F594	GROUP 2-CW GROUP 2-CW
11	BONNET GASKET (O-RING)	1	RUBBER	D2000	R34
13	DISC NUT	1	BRONZE	B584	SEE NOTE 3 (A)
14	DISC	1	SEE NOTE 1		
15	GUIDE CAP	2	ACETAL		
16	BODY - FLANGE ENDS	1	DUCTILE IRON	A536	
17	HANDWHEEL	1	CAST IRON	A126	CLASS B
18	BODY - MJ x MJ ENDS	1	DUCTILE IRON	A536	
19	BODY - SLIP-ON ENDS	1	DUCTILE IRON	A536	
20	BODY - FLANGE x MJ END	1	DUCTILE IRON	A536	
21	BODY - FLANGE x SLIP-ON END	1	DUCTILE IRON	A536	
22	TAPPING BODY - FLANGE x MJ END	1	DUCTILE IRON	A536	
23	WIPER RING	1	THERMOPLASTIC POLYURETHANE	D412/D624	D2240/D792

- NOTES
- RUBBER ENCAPSULATED DISC
CASTING - CAST IRON ASTM A126 CLASS B
RUBBER - SBR- ASTM D2000
MANUFACTURERS OPTION TO CHANGE MATERIAL TO DUCTILE IRON
ASTM A536 65-45 MINIMUM
 - THE INTERIOR/EXTERIOR OF THE BODY AND BONNET ARE COATED WITH FUSION BONDED EPOXY.
 - ALLOY C89833 OR ALLOY C87850 (A)

VALVE SIZE	DIMENSIONS FOR RESILIENT WEDGE VALVE - INCHES																				TURN TO OPEN				
	A	B	C	D	E	F	G	H	K	L	M	N	P	Q	R	S	T	Z	AA	BB		DD	EE	FF	GG
3	12.38	6.02	8.63	8.00	3.30	7.50	0.80	8.00	4 - 0.75	6.00	4.06	7.50	0.94	2.50	9.62	4 - 0.75	6.19	6	4.55	8.80	0.18	3.96	4.73	8.98	11

APPROVED
By Matt Sliger at 2:26 pm, Oct 06, 2022

DR BY: AQ 09/07/17	UNLESS OTHERWISE NOTED	THIRD ANGLE PROJECTION	C.B. NO.
ENGR: MS 09/07/17	BREAK CAST CORNER(S)		
MGR:	BREAK MACH CORNER(S)	FINISH: NO	PATT. NO.
MFG:		SCALE: ASSY	
TOOL:	TOLERANCES	SCALE: NONE	
FDRY:	UNLESS OTHERWISE NOTED		
	LINEAR	ANGULAR	STK. NO.
	±	±	
MATERIAL NOTED		NUMBER	
MUELLER		7435	
DESCR. 3IN RWGV 2361		AWWA C515 - 350W - 700 TEST	
		UL/FM 350W - 700 TEST	