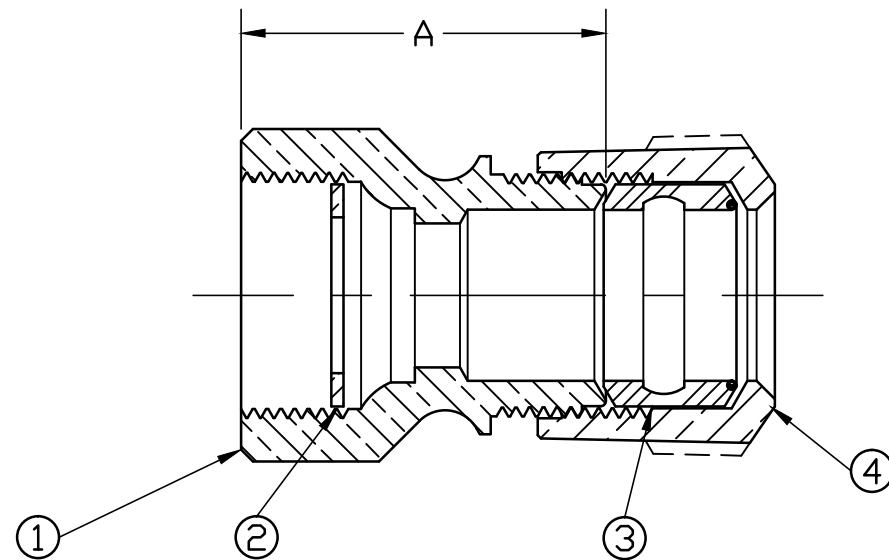


No.	DESCRIPTION	MATERIAL
1	SPUD	CAST LOW LEAD BRASS ALLOY
2	COPPER GASKET	COPPER ASTM B152 ALLOY C11000
3	CTS GSKT SUB	SBR ASTM D2000 -GSKT 410ss -BAND
4	CONNX NUT	CAST BRASS ASTM B62 ALLOY C83600



SIZE	A
1/2	1.75
3/4	1.90
3/4x5/8	2.06
3/4x1	2.32
1	2.52
1x3/4	2.06
1-1/4	2.52
1-1/4x1	2.84
1-1/2	2.81
2	3.19

NOTE: ALL WETTED PARTS ARE LOW LEAD BRASS ALLOY

FILEPATH: PROD-ENG\MUELLER\ASYSUBMITTALS\H15071N

DRFTR	JGarvin	12/21/09	Mueller Co.		
CHKR					
ENGR					
MGR					
			UNLESS OTHERWISE NOTED	THIRD ANGLE PROJECTION	
			SURFACE PREPARATION:		
			BREAK CORNER(S) ---- .000		
			SURFACE FINISH -- XX RMS	REF. No.	
			TOLERANCE(S):	SCALE	
			LINEAR ----- ± .000	FULL	
			ANGULAR ----- ± 0°00'		
			BY	DATE	
			STK No:		
			MAT'L:		
			DESCR.		
			CORPORATION STOP COUPLING	DWG NUMBER	
			LOW LEAD BRASS ("CS" COUPLING × 110 CTS)	H15071N	
REV	ECR	DESCRIPTION	DATE	BY	CHKR
PER EST NO: DXXXX EST FIN WT = 0.0000 lbs					

DWG NUMBER
H15071N
442-MRKTG

TITLE TO AND OWNERSHIP OF THIS ENGINEERING DATA REMAINS IN Mueller Co. NO USE IS TO BE MADE OF THIS DATA EXCEPT AS SPECIFICALLY AUTHORIZED BY Mueller Co. ASSENT ON THE PART OF THE RECIPIENT TO THESE CONDITIONS IS PRESUMED