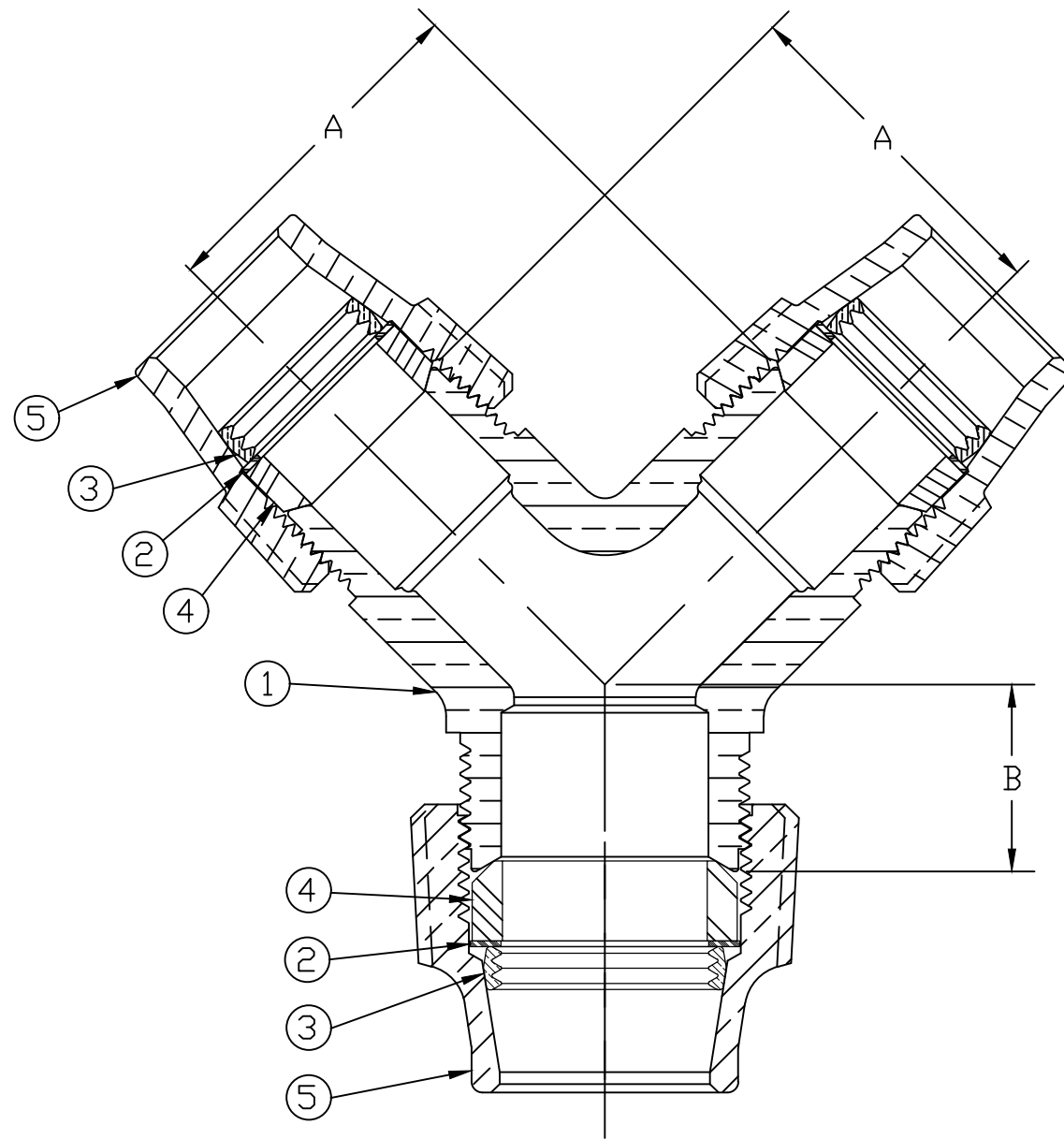


No.	DESCRIPTION	MATERIAL DESCRIPTION
1	BRANCH CONN	LEAD FREE BRASS ALLOY ASTM B584
2	PJ WASHER	POLYPROPYLENE
3	COMPRESSION RING	BRASS ASTM B505 ALLOY C83600
4	PJ GASKET	ASTM D2000
5	COMPRESSION NUT	CAST BRASS ALLOY ASTM B584

VALVE SIZE	A	B
3/4" x 1"	1.91	1.03
1" x 1-1/2"	2.38	1.40
1" x 2"	2.38	1.59



MEETS ALL REQUIREMENTS OF AWWA C800
 ALL WETTED PARTS ARE LEAD FREE BRASS ALLOY C89833/C87850
 ALL NON WETTED PARTS ARE BRASS ALLOY C83600/C87850

DWG NUMBER
G15343N

DRFTR	RWB	12/14/16	MUELLER	
CHKR				
ENGR			UNLESS OTHERWISE NOTED	THIRD ANGLE PROJECTION
MGR				SURFACE PREPARATION: BREAK CORNER(S) ---- .000 SURFACE FINISH -- XX RMS
	BY	DATE	TOLERANCE(S): LINEAR ----- ± .000 ANGULAR ----- ± 0°00'	
STK No:				
MAT'L:				
DESCR.			Y-BRANCH CONNECTION (GRIP ENDS)	
			DWG NUMBER G15343N	

TITLE TO AND OWNERSHIP OF THIS ENGINEERING
 DATA REMAINS IN Mueller Co. NO USE IS TO BE
 MADE OF THIS DATA EXCEPT AS SPECIFICALLY
 AUTHORIZED BY Mueller Co. ASSENT ON THE PART
 OF THE RECIPIENT TO THESE CONDITIONS IS PRESUMED