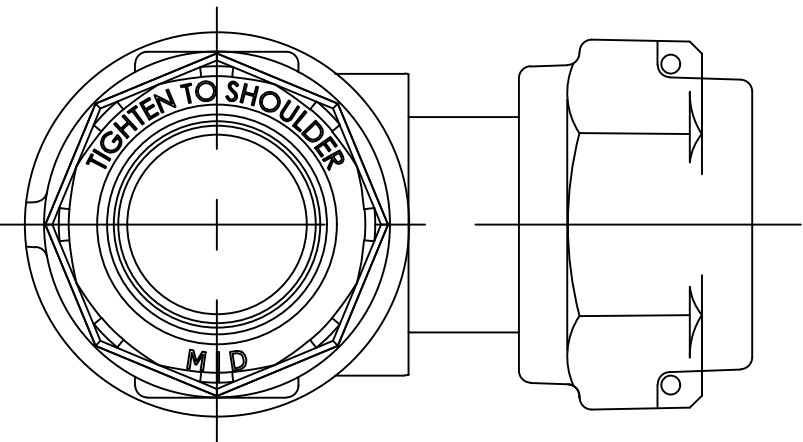
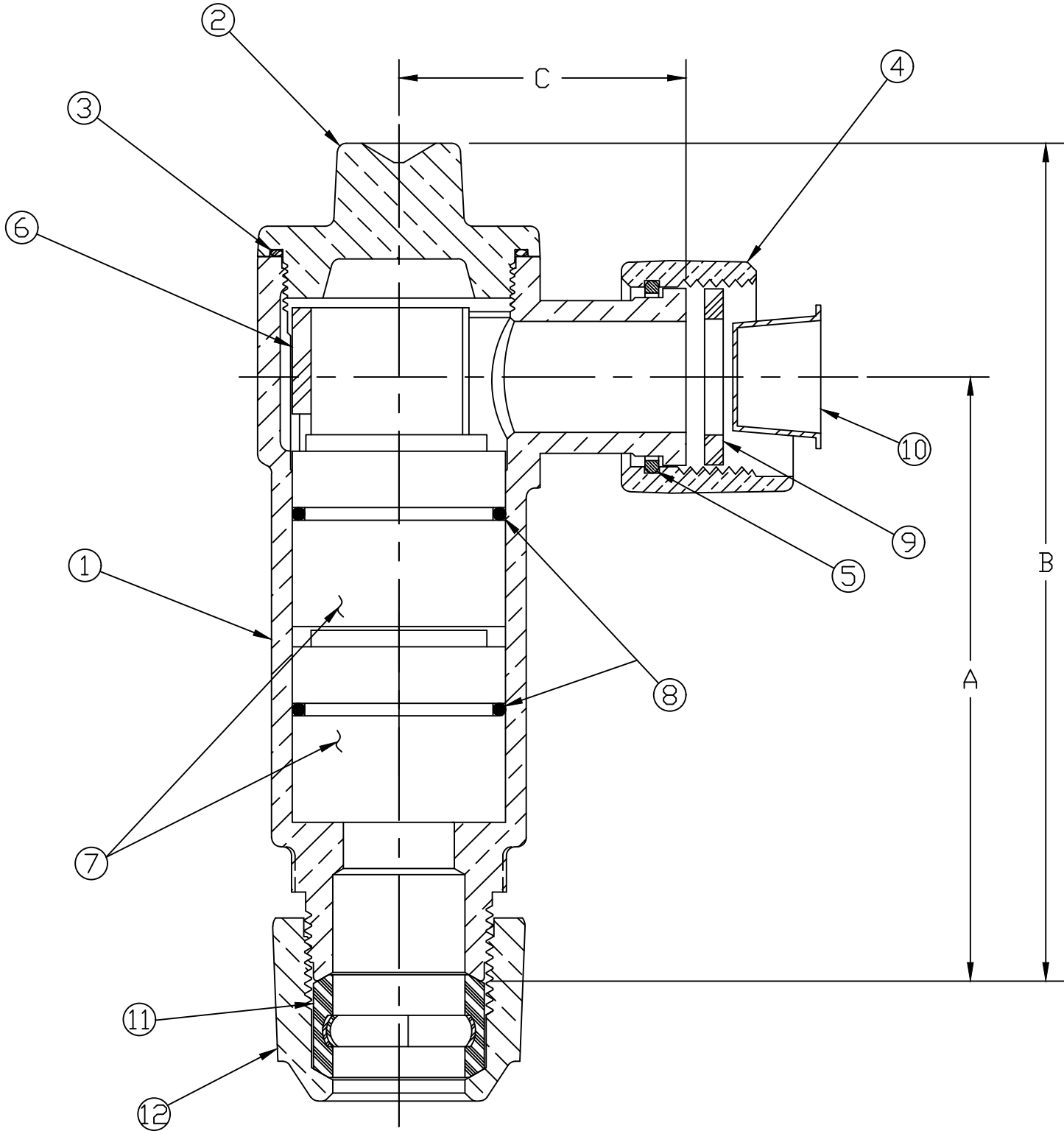
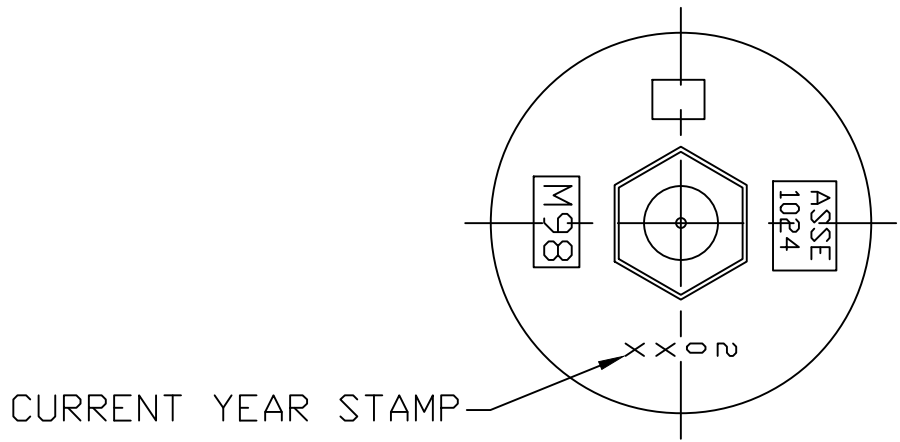


PART NUMBER
H14462AN

SIZE	A	B	C
5/8" x 3/4"	4.09	5.67	1.94
1"	4.51	6.45	2.35

NO.	QTY.	DESCRIPTION	MATERIAL
1	1	BODY	CAST NO LEAD BRASS ALLOY
2	1	CAP	CAST NO LEAD BRASS ALLOY
3	1	O-RING	EPDM D2000
4	1	SADDLE NUT	CAST BRASS ASTM B62 ALLOY C83600
5	1	SNAP RING	COPPER ALLOY CDA 521
6	1	LINER	CELCON M-90
7	2	POPPET ASS'Y	CELCON M270-GSKT EPDM ASTM D2000-SPRING 302 SS WIRE
8	2	O-RING	EPDM D2000
9	1	WASHER	NITRILE D2000
10	1	CAPLUG	POLYETHYLENE PLASTIC
11	1	GSKT SUB	SBR D2000 GSKT 401 SS BAND
12	1	CONN NUT	CAST BRASS ASTM B62 ALLOY C83600



ALL WETTED PARTS ARE NO LEAD BRASS ALLOY

FILEPATH: PROD-ENG\MUELLER\ASYSUBMITTALS\H14462AN

DRFTR	RWB	10/2/20	MUELLER	UNLESS OTHERWISE NOTED THIRD ANGLE PROJECTION SURFACE PREPARATION: BREAK CORNER(S) ---- .000 SURFACE FINISH -- XX RMS TOLERANCE(S): LINEAR ----- ± .000 ANGULAR ----- ± 0°00'			
CHKR							
ENGR							
MGR							
BY	DATE		REF. No.	SCALE			
STK No:				NONE			
MAT'L:							
REV	ECR	DESCRIPTION	DATE	BY	CHKR	DESCR. M-98 5/8" x 3/4" AND 1" DUAL CHECK ANGLE METER ASSE APPROVED VALVE ASSEMBLY (MTR x CTS 110) NLB	PART NUMBER H14462AN
PER EST NO: DXXXX EST FIN WT = 0.0000 lbs							

TITLE TO AND OWNERSHIP OF THIS ENGINEERING DATA REMAINS IN Mueller Co. NO USE IS TO BE MADE OF THIS DATA EXCEPT AS SPECIFICALLY AUTHORIZED BY Mueller Co. ASSENT ON THE PART OF THE RECIPIENT TO THESE CONDITIONS IS PRESUMED